

ALPHAPACK 3

LIGHTING CONTROL DIMMER

KEY FEATURES

- Three Dimming Channels
- 6.3 Amps per channel
- Three fader Local Control
- Autoprotect Overload
- DMX Control (addressable to any channel)
- M10 threaded mounting holes on top and rear
- Safety bond connection
- Optional wall mount bracket
- CE compliant to all relevant standards
- Designed and manufactured to ISO9001:2015 standards



OVERVIEW

Alphapack 3 is a 3 channel fully portable dimmer unit, which can be safely secured to a stand or truss with the use of a hookclamp or half coupler, connected to either of the M10 threaded mounting holes on the top and rear of the unit. Alternatively the optional wall mount bracket allows the Alphapack 3 to be mounted onto a wall or piece of scenery.

One of our most popular dimmers, the Alphapack 3 finds uses in all areas of the lighting industry. Rental, display, education, event services and live music users have all found the Alphapack 3 to be a perfect solution. The local fader controls make the Alphapack 3 ideal for 'fit and forget' situations, as well as allowing use as a follow spot dimmer.

This compact and rugged unit has 3 faders for local control, or can be controlled remotely as part of a larger lighting system. The Alphapack 3 offers full DMX control input providing maximum flexibility for a great price. The unique overload protection circuit means the Alphapack 3 can be used in applications where only a normal domestic supply is available - as it never allows the dimmer to draw more than the available supply current.

ORDERING INFORMATION

0011-000001-02	UK 15A Sockets
0011-000021-00	Neutrik powerCON TRUE1
0011-000011-00	Schuko Sockets
12614782	Mounting Bracket Kit

SUPPLIED ACCESSORIES

Installation / Operating Instructions
Fitted Mains Lead

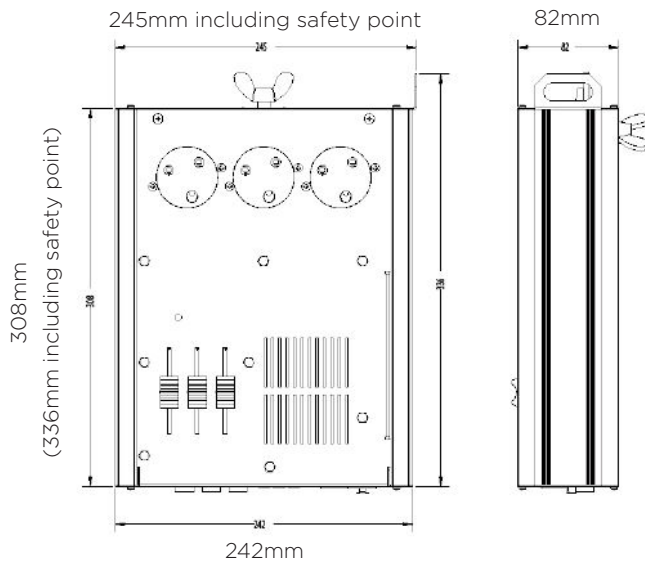
OPTIONAL ACCESSORIES

Wall Mounting Bracket

SPECIFICATIONS

- Number of channels: 3
- Channel capacity: 0.2 Amps Min / 6.3 Amps Max
- Total dimmer capacity: 16 Amps electronically limited
- Dimmer duty cycle: 100%
- Supply Voltage: 200-250 V AC
- Supply frequency: 50Hz
- Rise time: 80µS
- Control input: DMX512-1990 via 5 pin XLR with loop through
- Channel outlet options:
 - 3 x UK 15A Sockets
 - 3 x Neutrik powerCON TRUE1
 - 6 x 16A Schuko Sockets
- Channel protection: 20mm 6.3A HRC
- Cooling: Convection
- Operating Temperature: +5°C to +40°C
- Humidity: 5% to 95% Non condensing

DIMENSIONS:



Weight: 3.7kg

CONTACT US

+44 (0)1633 838088

www.vari-lite.com

Changes to the products, to the information contained in this document, and to prices are reserved; so are errors and omissions.

Zero 88 is a registered trademark.

All other trademarks are property of their respective owners.



©2018-2023 Signify Holding.
All Rights Reserved.

Alphapack_3_Datasheet_rev7_0823



FM 727824