

---

# TRIO4 CLIP LED LIGHT

The world's most advanced musicians light. TheTrio4 LED Clip Light gives more, better quality light and with greater control than any other music stand light on the market. TheTrio is the face of a complete music stand lighting system.

---



*RATstands*

**RATstands**



The slim housing ensures the lamp does not obstruct the musician's view of the conductor. Precision light guides ensure excellent cut off of the light, resulting in minimal light spillage.



32 state-of-the-art low voltage LEDs give exceptionally bright and even illumination over the entire score. LEDs are virtually indestructible and never wear out, so you'll never again have to change a bulb in the middle of a performance.



The colour temperature of the light can be varied between 2700K and 4000K.

Both the brightness and colour temperature can be controlled by the musician by simply using the thumb wheels on the lamp, or by the lighting desk.

Control by the lighting desk has priority over control by the musician.



The Trio Clip Light is fitted with a powerful spring clip to enable the light to fit almost any make of stand.

# Product Features



The Trio 4 can be powered by batteries, or by mains power using the appropriate PSU.

When powered by batteries, the light progressively warns the user when the battery is running low, giving plenty of time to change the battery without plunging the musician into darkness.

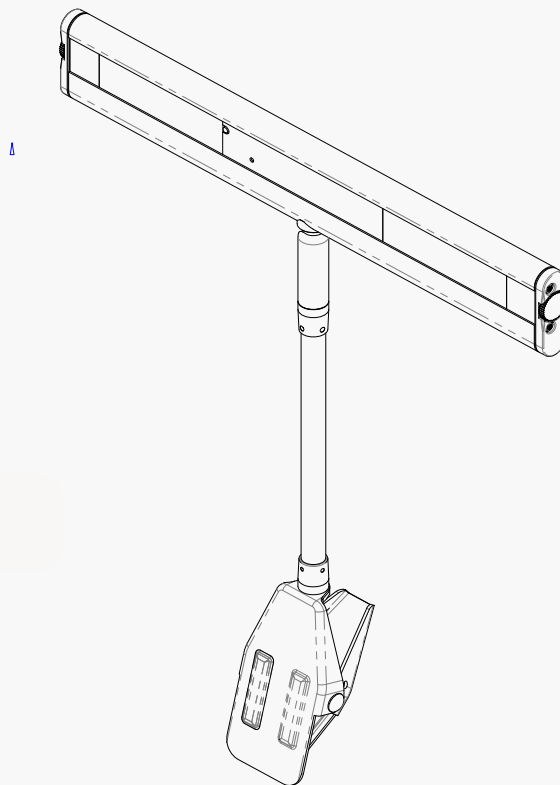
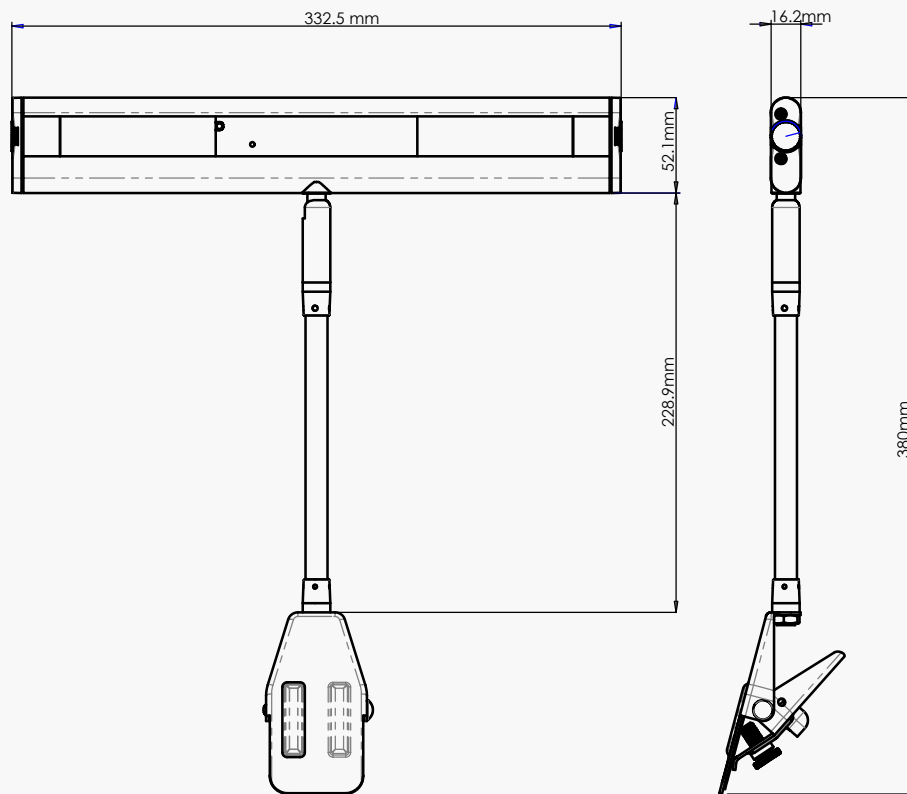
The 24v rechargeable lithium-ion battery is long lasting and strong. It is not only a cable-free power option, but it is also environmentally friendly.

When powered by the PSU, the lights can be connected to the PSU in a star configuration or in a daisy chain.



Control by the lighting desk can be by Powerline Control (when powered by our DMX PSU), or by the Radio DMX Transmitter when powering the lights using li-ion batteries.

# Detailed Specification



# Detailed Specification

Universal music stand light with powerful spring clip. Slim aluminium housing, 16mm thick, containing 32 LEDs with a variable colour temperature between 2700-4000K. Low voltage light which can be powered by battery or mains power in conjunction with the correct PSU.

Provision to adjust brightness and colour temperature on the light or is overridden remotely by an appropriate PSU. Radio capabilities as standard.

## Construction

Structural parts	Steel
Lamp housing	Extruded aluminium
Cable type	Coiled cable with PU outer sheath
Electrical connector type	Customised 2-pin XLR plug

## Dimensions

Profile of lamp as seen by user: thickness	16mm [0.6in]
Profile of lamp as seen by user: width	330mm [13.0in]
Rotation of lamp housing	300°
Cable length (from clip, fully stretched)	1800mm [71in]
Weight	0.6kg [1.3lb]

## Optical characteristics

Colour temperature	2700-4000K
CRI	80 min
Life of LEDs to 70% of initial output (L70)	60,000hrs
Light intensity at mid-point of an A4 score	775-825 lux (warm white - cool white)
Luminous flux from LEDs	450 lm

## Electrical characteristics

SELV (Safety extra low voltage)	YES
Class II insulation (double insulated)	NO
Operating voltage	18-28V
Electrical power consumption	6.5W
Circuit luminous efficacy	69 lm/W

## General

Commercial use warranty	2 years
Applicable standards	EN55022 EN60598 EN60529
IP rating	IP32
RATstands part number	73Q05