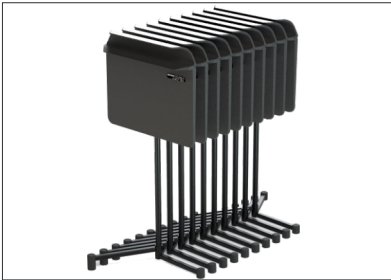


# Performer 3 Stand Trolley

A sturdy and strong storage cart, to make moving and storing Performer 3 Stands simple. The Performer 3 Stand Trolley can hold up to 18 stands, and has been consciously designed to be able to fit through a standard single door.



**RAT**stands  
TEMPO RANGE



The Performer 3 Stand Trolley can hold up to 18 Performer 3 Stands, nested in a compact line, to make set ups and take downs simple.

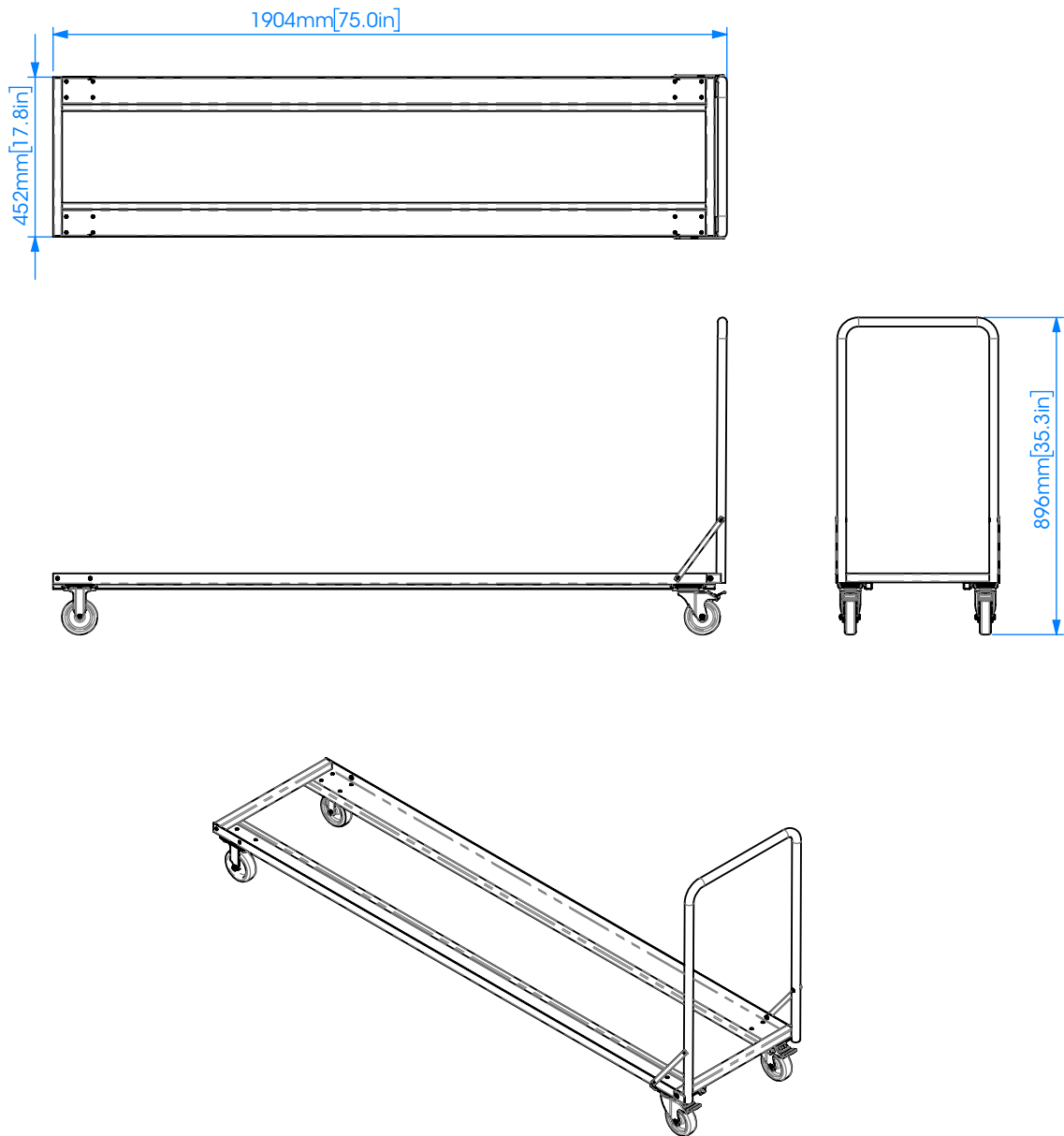


The Performer 3 Stand Trolley has 2 fixed and 2 swivel castors, for maximum manoeuvrability.



The Performer 3 Stand Trolley is coated in a tough scratch resistant epoxy to prevent cosmetic damage. It is sturdy, robust and easy to use. The trolley is lightweight making it easy to transport.

# Detailed Specification



# Detailed Specification

## Specifier's description

A long storage cart with a slim frame, specifically for the RATstands Performer 3 Stand, can hold up to 18 stands. A rectangular platform with 2 fixed and 2 swivel castors.

Steel frame and handle. Steel frame is coated in polyester powder coat.

Construction	
Structural parts	Steel
Wheels	Grey synthetic tyre
Platform	Steel frame
Coating	Polyester powder coat

Dimensions	
Width	452mm [17.8in]
Height	896mm [35.3in]
Length	1904mm [75in]
Maximum stand capacity	18 stands
Weight	15.3kg [33.7lbs]

General	
Warranty	5 years
Part number	59Q2.