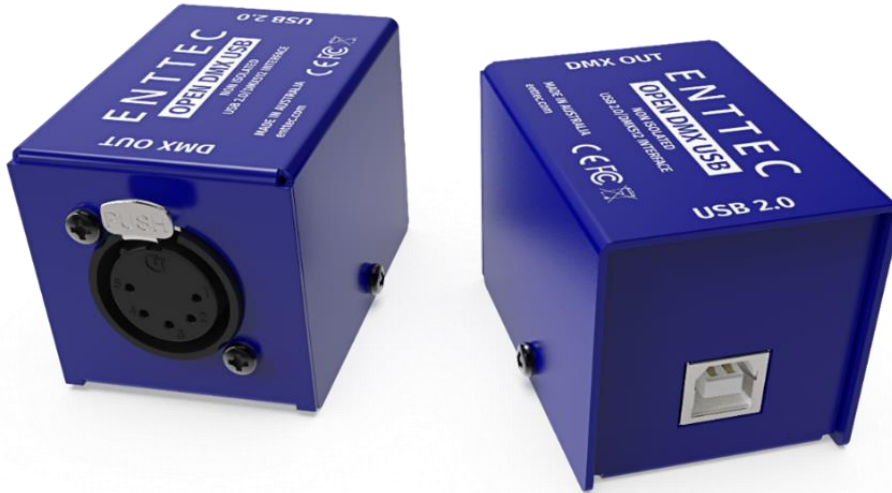




OPEN DMX USB – Datasheet

Advanced lighting data controller to fully manage your DMX network.



The OPEN DMX USB is a DMX widget used to output DMX from a computer. Simply connect it using its USB 2.0 Type B port and launch your compatible software.

The single Female 5 Pin DMX XLR output gives the ability to control 512 channels (1 Universe) of DMX through a range of compatible 3rd party software or your own custom application using ENTTEC's OPEN DMX USB's API.

The OPEN DMX USB is discovered as a USB Serial Device or virtual COM Port dependent on the FTDI driver installed on your system.

The Open DMX USB's output is processed directly on the computer's processor. (For devices with frame buffers and microprocessor to structure an output, see the ENTTEC DMX USB PRO and DMX USB PRO Mk2).

Designed for the hobbyist, or users who do not require the added features and protection offered in other ENTTEC DMX USB products.

Features

- **Compatible with a wide range of 3rd party software.**
- **Designed to be powered from computer over USB.**
- **One female 5 Pin XLR DMX port (output only).**
- **Output up to 512 channels (software permitting).**
- **Able to integrate into custom projects with the use of the OPEN DMX USB API.**

Specification

| | |
|--|---|
| Connectors | 1* DMX Output (Female XLR5) |
| | 1* USB 2.0 Type-B |
| IP rating | IP20 |
| LED indicators | No |
| Supported protocols | USITT DMX512-A |
| Standalone playback | No |
| MIDI | No |
| Maximum output channels | 1 universe (512ch) ¹ |
| Max. output refresh rate | 40FPS ² |
| Configuration software | No |
| Firmware updates | No |
| Input voltage | 5V DC (via USB) |
| Input current | 300mA |
| Power draw | 1.5W |
| Environmental Operating temperature | 0°-50°C 32°-122°F |
| Environmental Operating humidity | 5- 95% (non-condensing) |
| Body material | Folded Aluminium |
| Mounting options | N/A |
| Unit dimensions | 77x40x40 mm |
| Unit weight | 61 g / 0.13lbs |
| Shipping dimensions | 125x75x70 mm |
| Shipping weight | 0.16kg / 0.35lbs |
| Warranty | 3-year return to base manufacturer warranty |

1) If supported by your 3rd party software.

2) Providing your computer has processing capacity to support this.

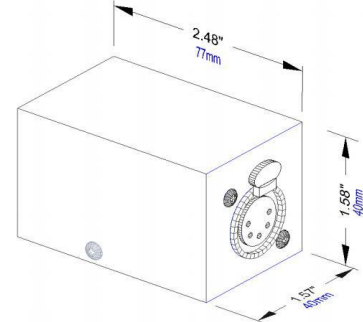
Certification



Box contents

- OPEN DMX USB
- USB Type A -> USB 2.0 Type B cable

Physical Dimension



Application diagram



Safety

- Do not expose the device to rain or moisture. This unit is intended for indoor use only.
- Do not remove the cover, there are no user serviceable parts inside.
- Never connect DMX GND to an electrical 'earth' connection.
- For additional flexibility and increased protection ENTTEC recommends the use of a DMX splitter.

Ordering information

For further support and to browse ENTTEC's range of products visit the [ENTTEC website](https://www.enttec.com).

| Item | SKU |
|--------------|-------|
| OPEN DMX USB | 70303 |

enttec.com

MELBOURNE AUS / LONDON UK / RALEIGH-DURHAM USA

Due to constant innovation, information within this document is subject to change.