



PRISMA MINI BAR 20

SPECIFICATIONS / TECHNICAL DATA REV A



KEY FEATURES

- IP65 Rated Exterior High-Power UV Wash Luminaire
- Scoop LED Reflector Design
- 20 Degree Narrow Beam Angle
- 365nm Peak True UV Wavelength
- Optional Black Glass Diffusion Filter

SPECIFICATIONS

Dynamic Effects

- . 20° Beam Angle
- . Variable Dimming Curve Modes
- . High Speed Electronic Strobe
- . Beam Uniformity
- . LCD Display
- . 10x 2W High Power UV Diode Led's
- . 20,000 Hour Average Led Life

Control (Via Prisma Driver 8 or Prisma Driver 8IP)

- . Multiple DMX Channel Modes
- . DMX-512 and RDM Protocol Support

Connections

- . Hard wired 9 ft (2.74m) 2-Conductor, 14 Gauge IP Rated Power/Data Pigtail Cable Attached

Construction / Physical / Performance

- . Dimensions (LxWxH): 18.9 x 3.9 x 4.2in. / 480 x 100 x 106.5mm
- . Weight: 4.2lbs. / 1.90kg

Electrical

- . Input Voltage: DC 0-36.7V
- . Power Consumption: 24.3W

Certifications / Qualifications / Thermal

- . IP Rating: IP65 Rating
- . Approvals: ROHS, CE Approved
- . Cooling: Air Cooled
- . Maximum Temperature (Ambient): 113° F (45° C)
- . Minimum Temperature (Ambient): 14° F (-10° C)

MAGMATIC



PRISMA MINI BAR 20

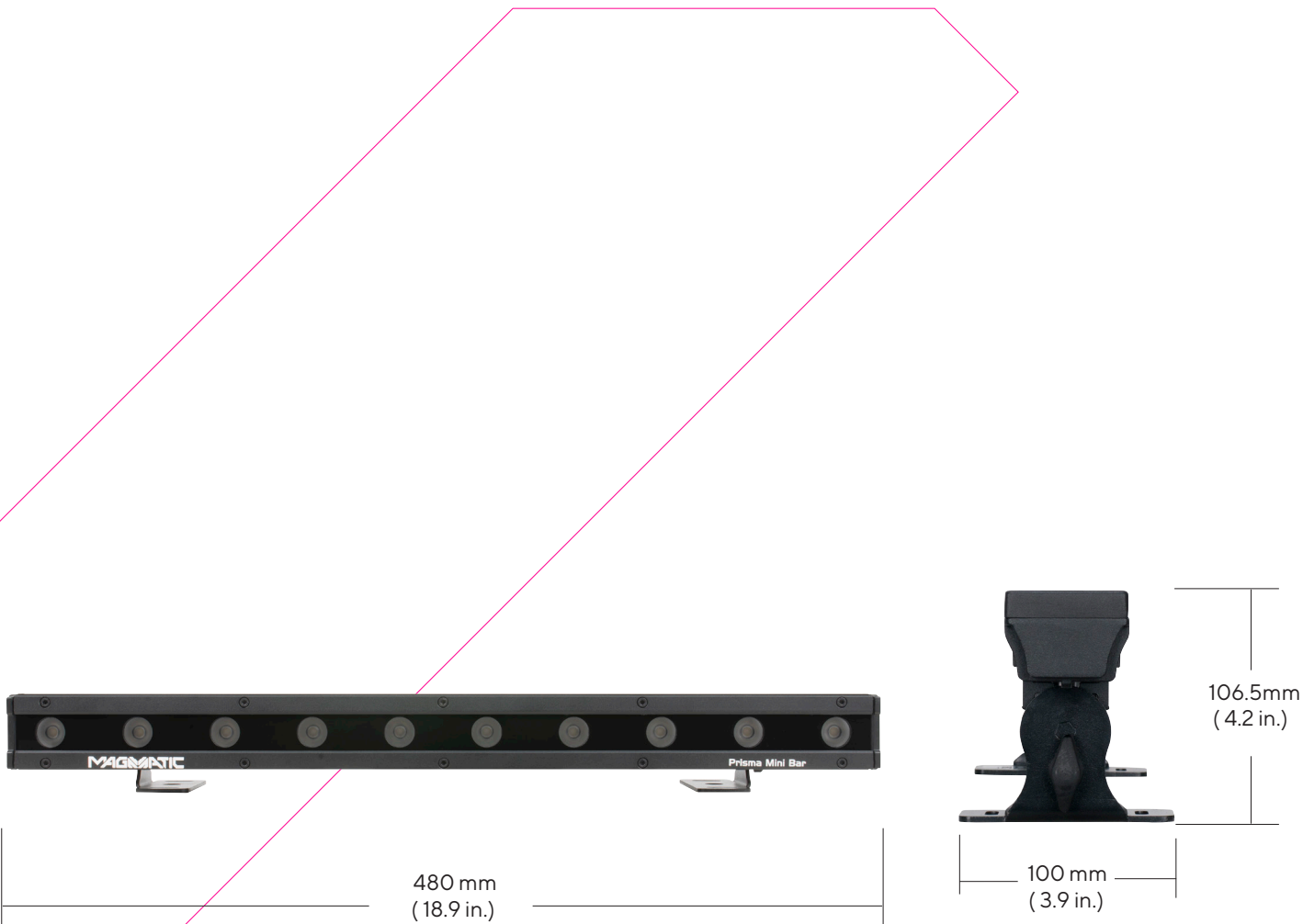
SPECIFICATIONS / TECHNICAL DATA
REV A

What's Included

- . Phoenix Connector (x1)
- . Positive Wire Tip Sheath (x1)
- . Negative Wire Tip Sheath (x1)

Optional Accessories

- . Prisma Mini Bar 20 Black Glass (PSG820)



MAGMATIC