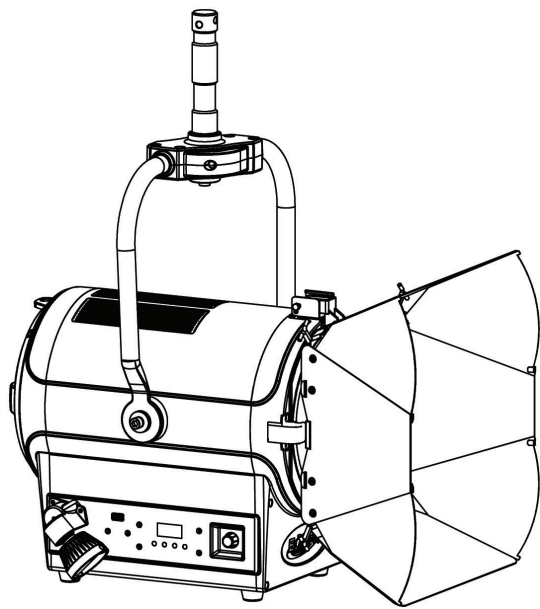


KL FRESNEL 8 FC PO



PRELIMINARY



The **KL Fresnel 8 FC PO™** is a full-color-spectrum LED fixture that provides high output, precise color temperature control, full spectrum color rendering and even wash coverage.

Optimized for the tunable white light requirements of Film and Television, it is an ideal key and fill light source for many situations requiring outstanding performance and color quality, while offering a wide array of rich saturated colors and subtle pastels.

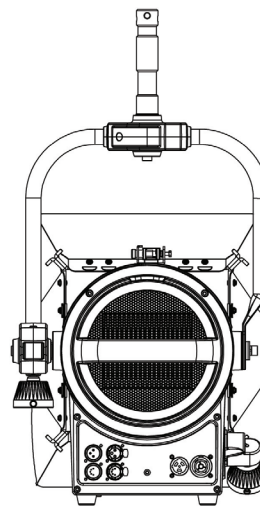
The KL Fresnel 8 FC PO incorporates a highly efficient 5-in-1 (RGBMA) LED engine that produces over 18,000 field lumens with a manual Zoom range of 10° to 50°. Outstanding color rendering quality, precise CCT presets and remotely adjustable LED refresh frequency makes this unit the perfect choice for today's fast paced production environments. Rugged and portable, the fixture can be mounted on a stand or suspended using any standard clamp or the included Junior pin adapter. It is fully self-contained without the need for an external power supply and offers locking power pass through for easy linking of multiple units.

The KL Fresnel 8 FC PO can be operated through industry standard DMX protocols and has full RDM support. In addition, it offers manual access using the included encoders and display, providing instant control of Intensity, Color temperature, Green shift and other important settings. The display and encoder are conveniently positioned at the bottom side of the fixture to ensure unobstructed access while mounted on a stand.

With its Pole Operation of Pan, Tilt and Zoom it is ideal for fast pace working environments and immediate remote adjustments.

FEATURES

- RGBMA LED Engine
- Dynamic White + Full Spectrum Color Control
- 18,000+ Total Fixture Lumen Output
- 10° to 50° Wide Manual Zoom
- Stand-Alone control with 1 Encoder and LED Display
- Smooth 16-bit Selectable Dimming Modes and Curves
- LED Refresh Rate Adjustment
- Flicker Free Operation for TV and FILM
- RDM (Remote Device Management)
- Pole-Operated Pan, Tilt and Zoom control
- 8-leaf Barn Doors, Gel Frame and Junior Pin (1 1/8" - 28mm) included



Specifications subject to change without notice ©Elation Professional 07/12/21

Elation Professional USA | 6122 S. Eastern Ave. | Los Angeles, CA. 90040
323-582-3322 | 323-832-9142 fax | www.elationlighting.com | info@elationlighting.com

Elation Professional B.V. | Junostraat 2 | 6468 EW Kerkrade, The Netherlands
+31 45 546 85 66 | +31 45 546 85 96 fax | www.elationlighting.eu | info@elationlighting.eu

PRODUCT SPECIFICATIONS

SOURCE

6500K RGBMA LED Engine
 50,000 Hour Average LED Life*
 *May vary depending on several factors including but not limited to:
 Environmental Conditions, Power/Voltage, Usage Patterns (On-Off Cycling), Control and Dimming.

PHOTOMETRIC DATA

18,000+ Total Lumen Output
 CRI 92
 TLCI 95
 Zoom Range 10° - 50°
 Beam Angle 10.5° - 49.9°
 Field Angle 21° - 66.6°

EFFECTS

Pole-Operated Pan, Tilt, Zoom
 Electronic Dimmer and Strobe
 Variable 16-bit Dimming Modes and Curves

COLOR

RGBMA Color Array
 CMY Emulation
 Variable CCT 2,400K - 8,500K
 Green/Magenta Shift
 Virtual Gel Swatch Book

CONTROL / CONNECTIONS

6 DMX Channel Modes (1 to 18 channels)
 Manual and DMX Controlled Dimmer and Color
 10° to 50° Wide Manual Zoom
 Stand-Alone Control w/ 1 Encoder and LED Display
 Rotary Encoder Dial
 4 Button Control Panel, LED Display
 RDM (Remote Device Management)
 3/5pin DMX and IP65 Locking Power In/Out Connection

SIZE / WEIGHT

Length: 15.1" (383.5mm)
 Width: 13.2" (334.85mm)
 Vertical Height: 19.6" (498mm)
 Weight: 28.6 lbs. (13kg)

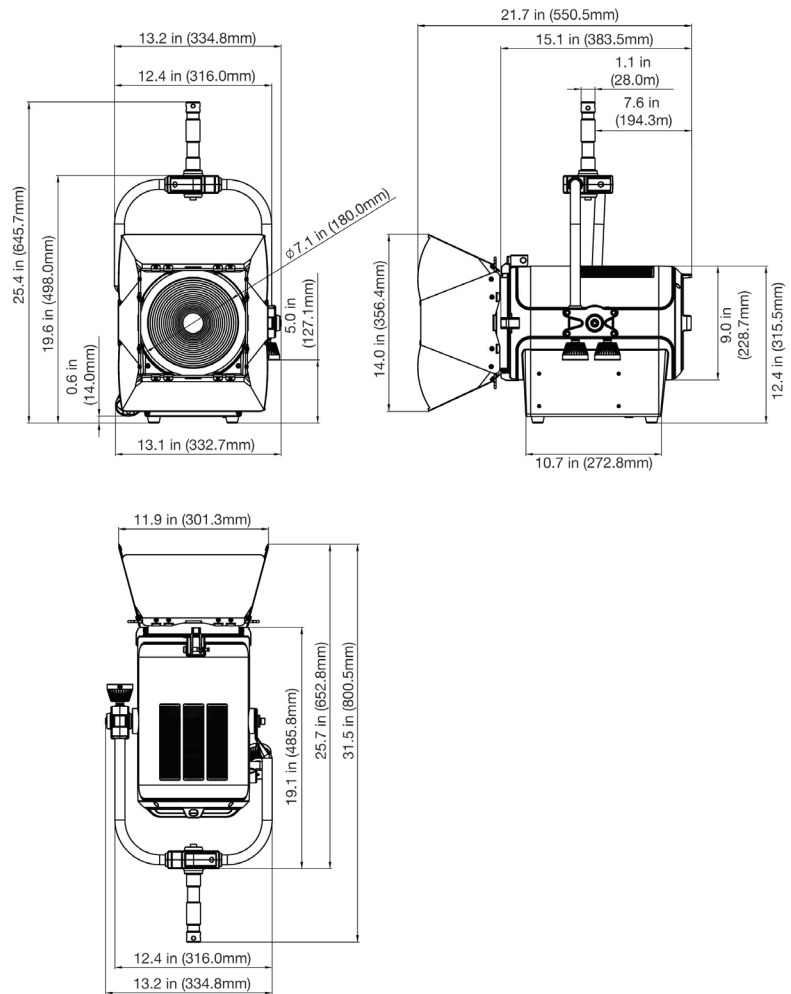
ELECTRICAL / THERMAL

AC 100-240V - 50/60Hz
 522W Max Power Consumption
 5°F to 113°F (-15°C to 45°C)

INCLUDED ITEMS

Gel Frame and Rotating 8-leaf Barn Doors
 Junior Pin (1 1/8" - 28mm)
 IP65 Locking Power Cable
 APPROVALS / RATINGS
 (pending) CE | cETLus | IP20

DIMENSIONAL DRAWINGS



DRAWINGS NOT TO SCALE.

ORDERING INFORMATION

KLF857

KL Fresnel 8 FC PO



Specifications subject to change without notice ©Elation Professional 07/12/21

Elation Professional USA | 6122 S. Eastern Ave. | Los Angeles, CA, 90040
 323-582-3322 | 323-832-9142 fax | www.elationlighting.com | info@elationlighting.com

Elation Professional B.V. | Junostraat 2 | 6468 EW Kerkrade, The Netherlands
 +31 45 546 85 66 | +31 45 546 85 96 fax | www.elationlighting.eu | info@elationlighting.eu