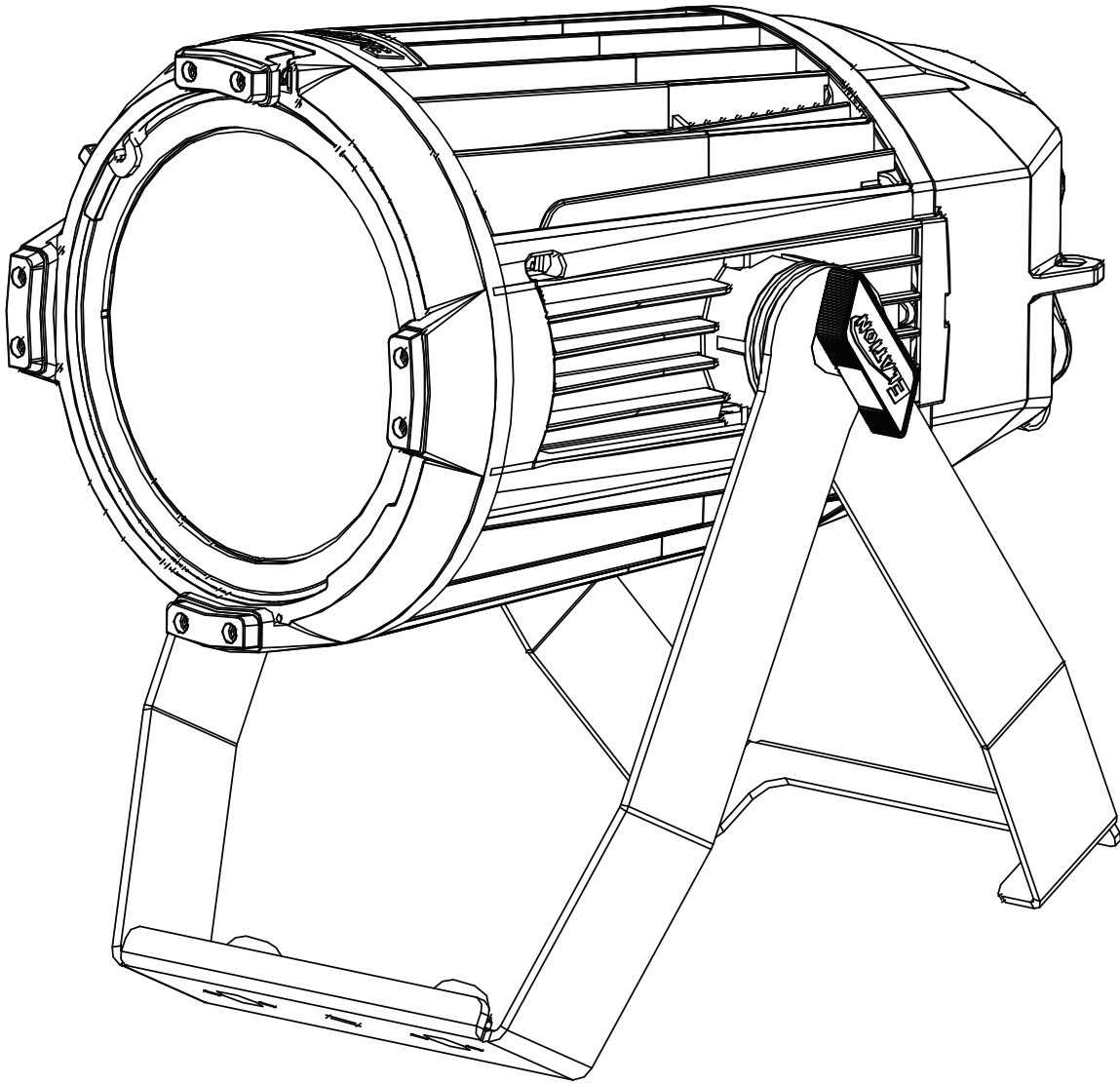


# **ELATION**<sup>®</sup>



**KL** PAR FC IP  
User Manual

©2024 **ELATION PROFESSIONAL** all rights reserved. Information, specifications, diagrams, images, and instructions herein are subject to change without notice. ELATION PROFESSIONAL logo and identifying product names and numbers herein are trademarks of ELATION PROFESSIONAL. Copyright protection claimed includes all forms and matters of copyrightable materials and information now allowed by statutory or judicial law or hereinafter granted. Product names used in this document may be trademarks or registered trademarks of their respective companies and are hereby acknowledged. All non-ELATION brands and product names are trademarks or registered trademarks of their respective companies.

**ELATION PROFESSIONAL** and all affiliated companies hereby disclaim any and all liabilities for property, equipment, building, and electrical damages, injuries to any persons, and direct or indirect economic loss associated with the use or reliance of any information contained within this document, and/or as a result of the improper, unsafe, insufficient and negligent assembly, installation, rigging, and operation of this product.

**Elation Professional USA | 6122 S. Eastern Ave. | Los Angeles, CA. 90040**

323-582-3322 | [www.elationlighting.com](http://www.elationlighting.com) | [info@elationlighting.com](mailto:info@elationlighting.com)

**Elation Professional B.V. | Junostraat 2 | 6468 EW Kerkrade, The Netherlands**

+31 45 546 85 66 | +31 45 546 85 96 fax | [www.elationlighting.eu](http://www.elationlighting.eu) | [info@elationlighting.eu](mailto:info@elationlighting.eu)

**Elation Professional Mexico | AV Santa Ana 30 | Parque Industrial Lerma, Lerma, Mexico 52000**

+52 (728) 282-7070

## DOCUMENT VERSION



Due to additional product features and/or enhancements, an updated version of this document may be available online. Please scan the QR Code with your mobile device or visit [www.elationlighting.com](http://www.elationlighting.com) for the latest revision/update of this manual, before installation and/or programming.

Date	Document Version	Software Version	DMX Channel Mode	Notes
03/28/24	1.0	1.01	1/6/11/18/19/9/14/15	Initial Release
06/12/24	1.1	N/C	No Change	Updated Dimensional Drawings, Specifications
06/24/24	1.2	N/C	No Change	Corrected DMX Traits
09/12/24	1.3	N/C	No Change	Updated Specifications

# CONTENTS

<b>General Information</b>	<b>4</b>
<b>Limited Warranty (USA Only)</b>	<b>5</b>
<b>IP65 Rated</b>	<b>6</b>
<b>Safety Guidelines</b>	<b>7</b>
<b>Maintenance Guidelines</b>	<b>9</b>
<b>Overview</b>	<b>10</b>
<b>Installation Guidelines</b>	<b>11</b>
<b>Accessory Installation</b>	<b>15</b>
<b>Remote Device Management (RDM)</b>	<b>16</b>
<b>Colourtune Technology</b>	<b>17</b>
<b>System Menu</b>	<b>18</b>
<b>Touch Bar Mode</b>	<b>21</b>
<b>Fan Control and Low Noise Operation</b>	<b>22</b>
<b>DMX Traits</b>	<b>23</b>
<b>Dimmer Modes &amp; Curves</b>	<b>28</b>
<b>Color Temperature Chart</b>	<b>29</b>
<b>Color Macros Chart</b>	<b>30</b>
<b>Torque Settings for Screws</b>	<b>31</b>
<b>IP Test Parameters</b>	<b>32</b>
<b>Dimensional Drawings</b>	<b>33</b>
<b>Specifications</b>	<b>34</b>
<b>Ordering Information   FCC Statement</b>	<b>35</b>

# GENERAL INFORMATION

## INTRODUCTION

Please read and understand the instructions in this manual carefully and thoroughly before attempting to operate this device. These instructions contain important safety and use information. **This device is intended for use by trained personnel only, and is not suitable for private use.**

## UNPACKING

Every device has been thoroughly tested and has been shipped in perfect operating condition. Carefully check the shipping carton for damage that may have occurred during shipping. If the carton is damaged, carefully inspect the device for damage, and be sure all accessories necessary to install and operate the device have arrived intact. In the event damage has been found or parts are missing, please contact our customer support team for further instructions. Please do not return this device to your dealer without first contacting customer support. Please do not discard the shipping carton in the trash. Please recycle whenever possible.

## BOX CONTENTS

- Gel Frame (x1)
- Power Cable (x1)
- Lenses:
  - VN<sub>SP</sub> (11°)
  - NS<sub>P</sub> (22°)
  - M<sub>FL</sub> (30°)
  - W<sub>FL</sub> (52°)

## CUSTOMER SUPPORT

Contact ELATION Service for any product related service and support needs. Also visit [forums.elationlighting.com](https://forums.elationlighting.com) with questions, comments, or suggestions.

**ELATION SERVICE USA - Monday - Friday 8:00am to 4:30pm PST**  
323-582-3322 | [support@elationlighting.com](mailto:support@elationlighting.com)

**ELATION SERVICE EUROPE - Monday - Friday 08:30 to 17:00 CET**  
+31 45 546 85 63 | Fax +31 45 546 85 96 | [support@elationlighting.eu](mailto:support@elationlighting.eu)

**REPLACEMENT PARTS** please visit [parts.elationlighting.com](https://parts.elationlighting.com)



## IMPORTANT NOTICE!

**THERE ARE NO USER SERVICEABLE PARTS INSIDE THIS UNIT. DO NOT ATTEMPT ANY REPAIRS YOURSELF, AS DOING SO WILL VOID YOUR MANUFACTURER'S WARRANTY. DAMAGES RESULTING FROM MODIFICATIONS TO THIS FIXTURE AND/OR THE DISREGARD OF SAFETY INSTRUCTIONS AND GUIDELINES IN THIS MANUAL VOID THE MANUFACTURER'S WARRANTY AND ARE NOT SUBJECT TO ANY WARRANTY CLAIMS AND/OR REPAIRS.**

## LIMITED WARRANTY (USA ONLY)

- A. Elation Professional hereby warrants, to the original purchaser, Elation Professional products to be free of manufacturing defects in material and workmanship for a period of two years (730 days), and Elation Professional product rechargeable batteries to be free of manufacturing defects in material and workmanship for a period of six months (180 days), from the original date of purchase. This warranty excludes discharge lamps and all product accessories. This warranty shall be valid only if the product is purchased within the United States of America, including possessions and territories. It is the owner's responsibility to establish the date and place of purchase by acceptable evidence, at the time service is sought.
- B. For warranty service, send the product only to the Elation Professional factory. All shipping charges must be pre-paid. If the requested repairs or service (including parts replacement) are within the terms of this warranty, Elation Professional will pay return shipping charges only to a designated point within the United States. If any product is sent, it must be shipped in its original package and packaging material. No accessories should be shipped with the product. If any accessories are shipped with the product, Elation Professional shall have no liability what so ever for loss and/or damage to any such accessories, nor for the safe return thereof.
- C. This warranty is void if the product serial number and/or labels are altered or removed; if the product is modified in any manner which Elation Professional concludes, after inspection, affects the reliability of the product; if the product has been repaired or serviced by anyone other than the Elation Professional factory unless prior written authorization was issued to purchaser by Elation Professional; if the product is damaged because not properly maintained as set forth in the product instructions, guidelines and/or user manual.
- D. This is not a service contract, and this warranty does not include any maintenance, cleaning or periodic check-up. During the periods as specified above, Elation Professional will replace defective parts at its expense, and will absorb all expenses for warranty service and repair labor by reason of defects in material or workmanship. The sole responsibility of Elation Professional under this warranty shall be limited to the repair of the product, or replacement thereof, including parts, at the sole discretion of Elation Professional. All products covered by this warranty were manufactured after January 1, 1990, and bare identifying marks to that effect.
- E. Elation Professional reserves the right to make changes in design and/or performance improvements upon its products without any obligation to include these changes in any products theretofore manufactured.
- F. No warranty, whether expressed or implied, is given or made with respect to any accessory supplied with the products described above. Except to the extent prohibited by applicable law, all implied warranties made by Elation Professional in connection with this product, including warranties of merchantability or fitness, are limited in duration to the warranty periods set forth above. And no warranties, whether expressed or implied, including warranties of merchantability or fitness, shall apply to this product after said periods have expired. The consumer's and/or dealer's sole remedy shall be such repair or replacement as is expressly provided above; and under no circumstances shall Elation Professional be liable for any loss and/or damage, direct and/or consequential, arising out of the use of, and/or the inability to use, this product.
- G. This warranty is the only written warranty applicable to Elation Professional products and supersedes all prior warranties and written descriptions of warranty terms and conditions heretofore published.

### WARRANTY RETURNS

All returned service items whether under warranty or not, must be freight pre-paid and accompany a return authorization (R.A.) number. The R.A. number must be clearly written on the outside of the return package. A brief description of the problem as well as the R.A. number must also be written down on a piece of paper and included in the shipping container. If the unit is under warranty, you must provide a copy of your proof of purchase invoice. Items returned without a R.A. number clearly marked on the outside of the package will be refused and returned at customer's expense. You may obtain a R.A. number by contacting customer support.

# IP65 RATED

To ensure the longevity and optimal operation of the **Elation KL PAR FC IP**, with its IP65 rating for enhanced performance in diverse environments, adhere to the following guidelines:

- **Operational Precautions:** It is recommended to avoid continuous operation beyond a 12-hour period without cooling breaks. The unit should not be operated outside of its approved temperature ratings to maintain performance and prevent overheating.
- **Environmental Exposure:** Although the IP65 rating ensures durability against various weather conditions, prolonged exposure to direct sunlight can affect the fixture's performance. Utilize protective covers or shade structures during non-operational periods to protect the fixture and avoid pointing the optics at the sun directly.
- **Maintenance and Inspection:** Regularly inspect the fixture for signs of wear or damage, especially before and after outdoor use. Keeping the fixture clean from dust and debris is essential for maintaining performance and safety.
- **Environment Flexibility:** The KL PAR FC IP is well-suited for both indoor and outdoor installations. It excels in temporary outdoor events or installations, such as holiday lighting and themed attractions, and can be adapted for long-term installations with proper considerations.
- **Marine or Coastal Use:** Given the unique challenges presented by marine or coastal environments, such as increased exposure to salt and moisture, consulting the Elation service team prior to installation is crucial for obtaining approval or learning about additional long-term permanent installation precautions and best practices. Additional Maritime coatings and protections may be needed and are available at additional cost.

**Important Notice:** Unauthorized modifications or repairs can void the warranty and compromise the fixture's safety and performance.

Following these streamlined guidelines enables users to maximize the creative potential of the KL PAR FC IP while ensuring safe and reliable operation across various applications and environments. Special attention to operational, environmental, and compliance considerations, alongside the fixture's IP65 capabilities and marine or coastal use considerations, provides a comprehensive framework for optimal use.

# SAFETY GUIDELINES

This fixture is a sophisticated piece of electronic equipment. To guarantee smooth operation, it is important to follow all instructions and guidelines in this manual. Elation Professional is not responsible for injury and/or damages resulting from the misuse of this fixture due to the disregard of the information printed in this manual. Only qualified and/or certified personnel should perform installation of this fixture and only the original rigging parts included with this fixture should be used for installation. Any modifications to the fixture and/or the included mounting hardware will void the original manufacturer's warranty and increase the risk of damage and/or personal injury.



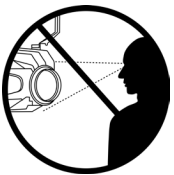
**PROTECTION CLASS 1 - FIXTURE MUST BE PROPERLY GROUNDED.**



**THERE ARE NO USER SERVICEABLE PARTS INSIDE THIS UNIT. DO NOT ATTEMPT ANY REPAIRS YOURSELF. DOING SO WILL VOID YOUR MANUFACTURER'S WARRANTY. DAMAGES RESULTING FROM MODIFICATIONS TO THIS DEVICE AND/OR THE DISREGARD OF SAFETY INSTRUCTIONS AND GUIDELINES IN THIS MANUAL VOID THE MANUFACTURER'S WARRANTY AND ARE NOT SUBJECT TO ANY WARRANTY CLAIMS AND/OR REPAIRS.**



**DO NOT PLUG THIS UNIT INTO A DIMMER PACK  
DO NOT REMOVE THE COVER PANELS FOR ANY REASON  
NEVER OPERATE THIS UNIT WITH THE CASING REMOVED  
UNPLUG FROM POWER DURING LONG PERIODS OF NON-USE  
DISCONNECT POWER BEFORE PERFORMING MAINTENANCE**



**NEVER LOOK DIRECTLY INTO THE LIGHT SOURCE!  
RETINA INJURY RISK - MAY INDUCE BLINDNESS!  
SENSITIVE PERSONS MAY SUFFER AN EPILEPTIC SHOCK!  
FIXTURE SHOULD BE PLACED A MINIMUM OF 1.0 FOOT (0.3 METERS) FROM ANY NEARBY OBJECTS OR SURFACES.**



**FIXTURE SHOULD BE PLACED A MINIMUM OF 1.6 FEET (0.5 METERS) FROM ANY FLAMMABLE MATERIALS.  
MAXIMUM AMBIENT OPERATING TEMPERATURE IS 113°F (45°C)**

# SAFETY GUIDELINES

**For Your Own Personal Safety, Please Read and Understand This Manual Completely Before You Attempt To Install Or Operate This Unit!**

- Do not touch the fixture housing during operation, as it may be hot.
- Do not shake the fixture, and avoid using brute force when installing and/or operating.
- Use only the original packaging and materials to transport or ship the fixture for service. Make sure to retain the original packaging for this purpose.
- Be sure that the local power outlet matches the required voltage for the device.
- Do not open up the device for any reason. There are no user serviceable parts inside.
- Disconnect the device's main power when left unused for long periods of time.
- Never connect this device to a dimmer pack.
- Do not attempt to operate this device if it has been damaged in any way.
- Never operate this device with the cover removed.
- Do not attempt to operate this device if the power cord has been frayed or broken.
- Never force a power cord connector into the fixture. If the power cord or any of its connectors are damaged, replace immediately with a new cord of the same power rating.
- Do not attempt to remove or break off the ground prong from the electrical cord. This prong is used to reduce the risk of electrical shock and fire in case of an internal short.
- Only handle the power cord by the plug end. Never disconnect the plug by tugging on the wire portion of the power cord.
- Disconnect from main power before making any type of connection.
- Never block the air ventilation slots. Always be sure to mount this device in an area that will allow proper ventilation. Allow about 6" (15cm) between this device and a wall.
- Always mount this unit in a safe and stable matter.
- Please route your power cord out of the way of foot traffic. Power cords should be routed so they are not likely to be walked on or pinched by items placed upon or against them.
- Before performing any servicing, turn off and disconnect the device from power and allow at least 15 minutes for the device to cool.
- Consistent operational breaks will ensure that this fixture will function properly for many years.
- The device should be serviced by qualified service personnel when:
  - A. The power-supply cord or the plug has been damaged.
  - B. Objects have fallen on, or liquid has been spilled into, the device.
  - C. The device has been immersed in liquid or exposed to moisture.
  - D. The appliance does not appear to operate normally or exhibits a marked change in performance.

**Keep all flammable materials away from this fixture!**



# MAINTENANCE GUIDELINES



**DISCONNECT POWER BEFORE PERFORMING ANY MAINTENANCE!**

## CLEANING

Frequent cleaning is recommended to ensure proper function, optimized light output, and an extended life. The frequency of cleaning depends on the environment in which the fixture operates: damp, smoky or particularly dirty environments can cause greater accumulation of dirt on the fixture's optics. Clean periodically with a soft cloth to avoid dirt/debris accumulation.

**NEVER** use alcohol, solvents, or ammonia-based cleaners.

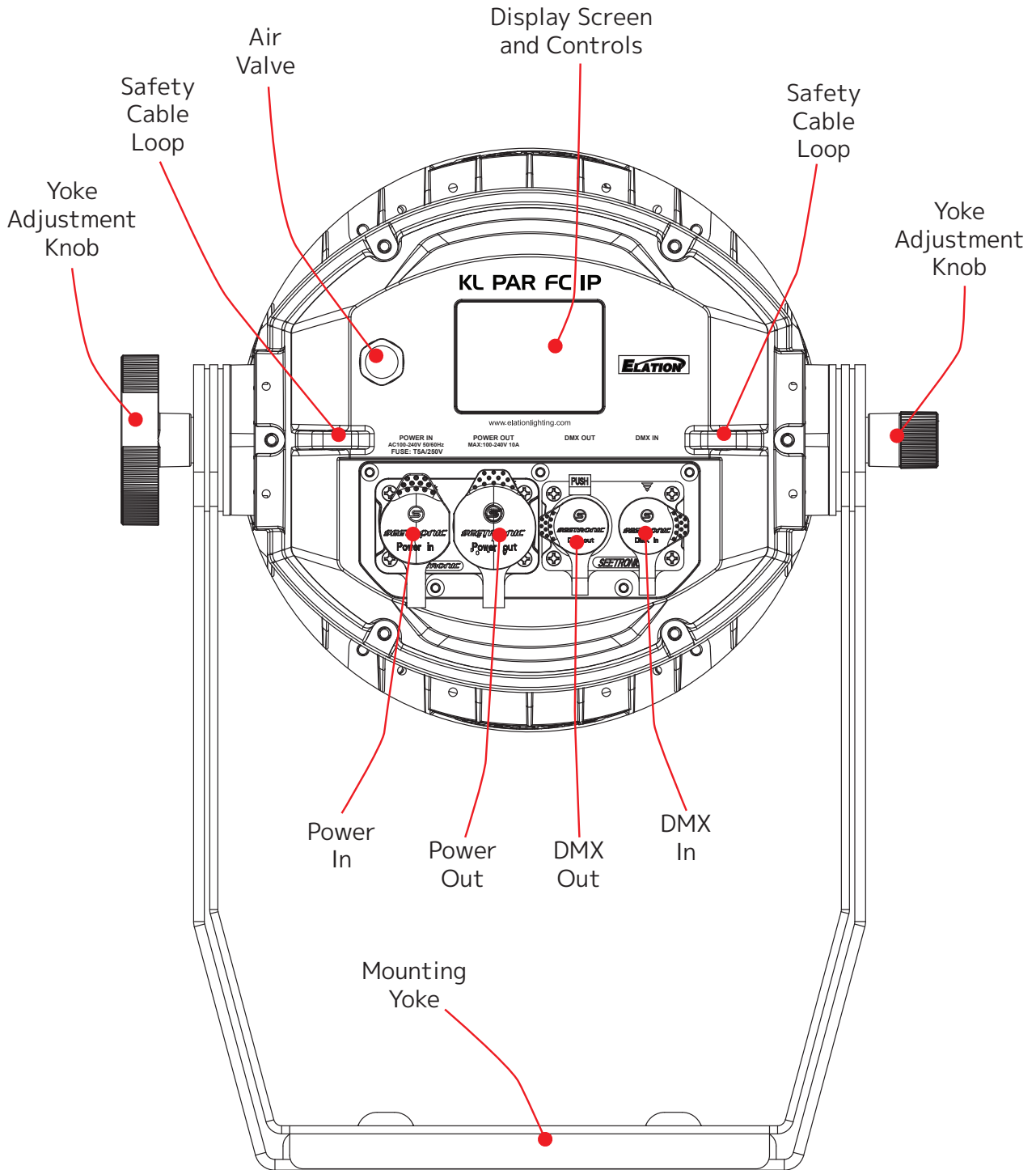
## MAINTENANCE

Regular inspections are recommended to insure proper function and extended life. There are no user serviceable parts inside this fixture. Please refer all other service issues to an authorized Elation service technician. Should you need any spare parts, please order genuine parts from an authorized Elation dealer.

Please refer to the following points during routine inspections:

- A detailed electrical check by an approved electrical engineer every three months, to make sure the circuit contacts are in good condition and prevent overheating.
- Be sure all screws and fasteners are securely tightened at all times. Loose screws may fall out during normal operation, resulting in damage or injury as larger parts could fall.
- Check for any deformations on the housing, color lenses, rigging hardware and rigging points (ceiling, suspension, trussing). Deformations in the housing could allow for dust to enter into the fixture. Damaged rigging points or unsecured rigging could cause the fixture to fall and seriously injure a person(s).
- Electric power supply cables must not show any damage, material fatigue or sediments.

# OVERVIEW



# INSTALLATION GUIDELINES



## **FLAMMABLE MATERIAL WARNING**

Keep fixture minimum 5.0 feet (1.5m) away from flammable materials and/or pyrotechnics.



## **ELECTRICAL CONNECTIONS**

A qualified electrician should be used for all electrical connections and/or installations.



## **MINIMUM DISTANCE TO OBJECTS/SURFACES IS 1 FOOT (0.3 METERS)**



## **MINIMUM DISTANCE OF FLAMMABLE MATERIALS FROM THE SURFACE IS 1.6 FEET (0.5 METER)**



## **MAXIMUM AMBIENT TEMPERATURE 113° F (45°C)**



## **DO NOT INSTALL THE FIXTURE IF YOU ARE NOT QUALIFIED TO DO SO!**

Fixture **MUST** be installed following all local, national, and country commercial electrical and construction codes and regulations.

Before rigging/mounting a single fixture or multiple fixtures to any metal truss/structure or placing the fixture(s) on any surface, a professional equipment installer **MUST** be consulted to determine if the metal truss/structure or surface is properly certified to safely hold the combined weight of the fixture(s), clamps, cables, and accessories.

Fixture(s) should be installed away from walking paths, seating areas, or areas where unauthorized personnel might reach the fixture by hand.

**NEVER** stand directly below the fixture(s) when rigging, removing, or servicing.

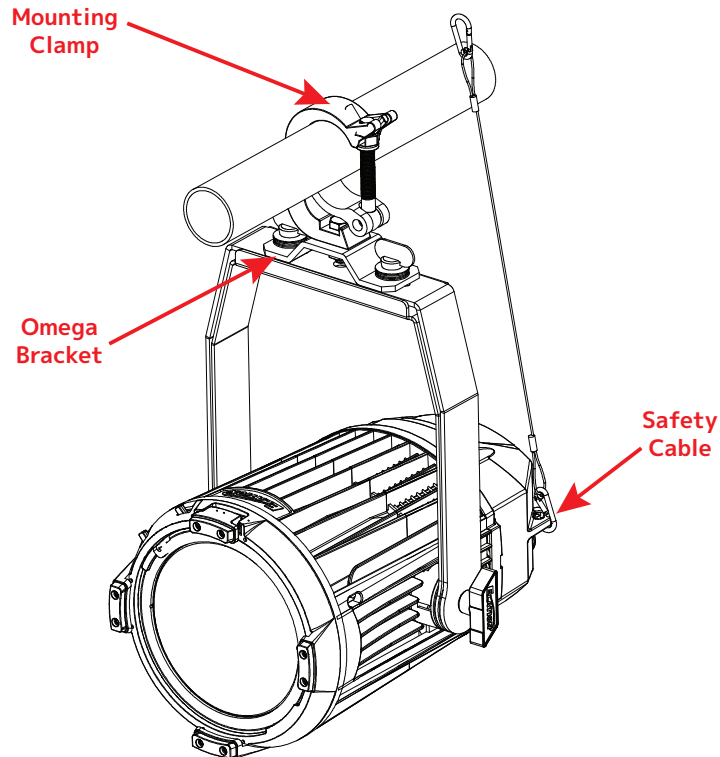
Overhead fixture installation must always be secured with a secondary safety attachment, such as an appropriately rated safety cable.

Allow approximately 15 minutes for the fixture to cool down before servicing.

# INSTALLATION GUIDELINES

## CLAMP INSTALLATION

This device features an attachment point for an Omega bracket built into the mounting bracket, as well as two safety cable attachment points located on the rear face of the fixture on either side of the control panel (see the illustration below). When mounting the fixture to a truss or any other suspended or overhead installation, secure an appropriately rated clamp (not included) to the Omega bracket, then attach the Omega bracket to the mounting yoke and secure it in place using the twist-lock fasteners on the Omega bracket. Attach a separate SAFETY CABLE of the appropriate rating to at least one of the two provided attachment points.



**ALWAYS ATTACH A SAFETY CABLE WHENEVER INSTALLING THIS FIXTURE IN A SUSPENDED ENVIRONMENT TO ENSURE THAT THE FIXTURE WILL NOT FALL IF THE CLAMP FAILS.**

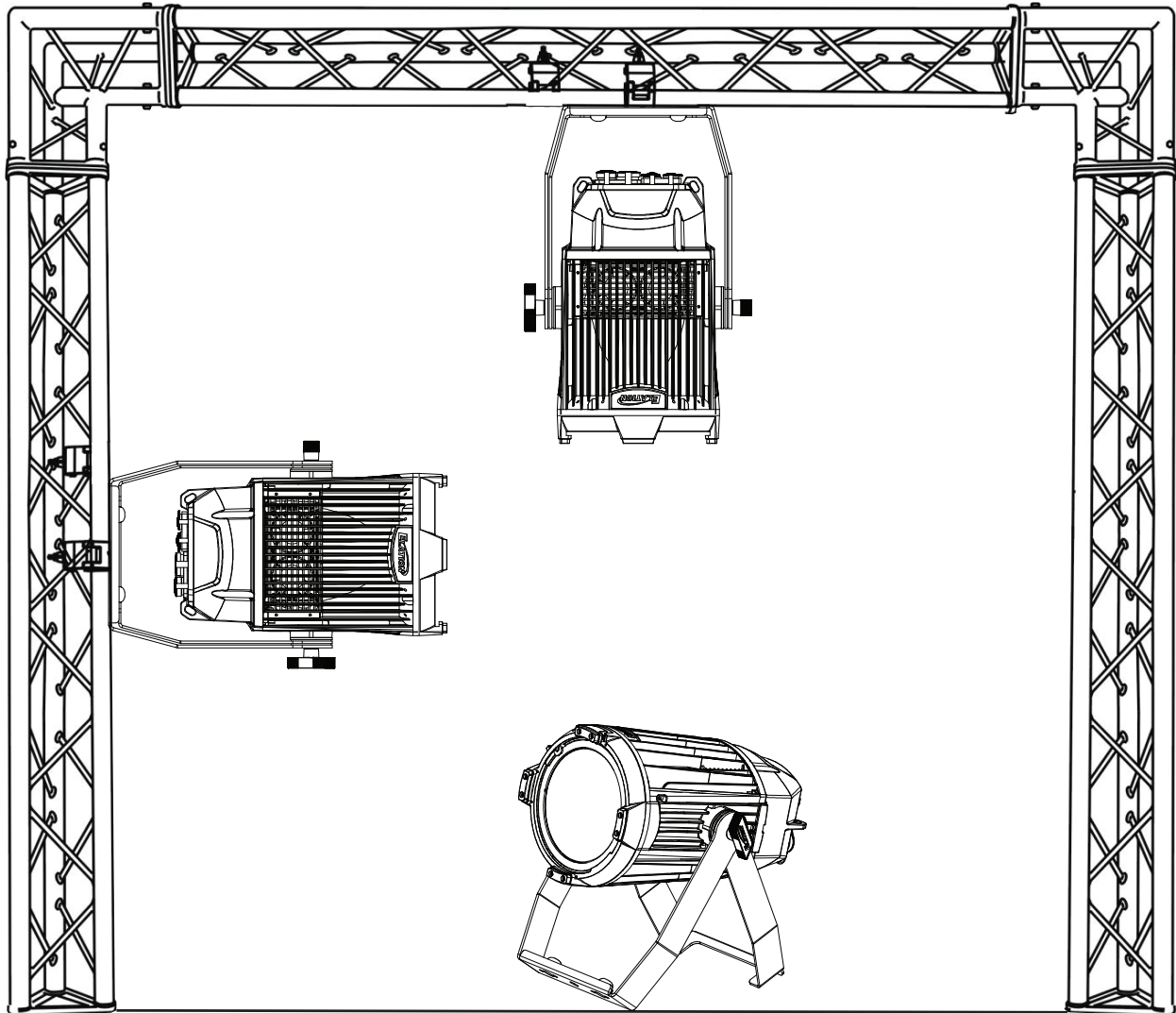
## RIGGING

Overhead rigging requires extensive experience, including but not limited to: calculating working load limits, understanding the installation material being used, and periodic safety inspection of all installation material and the fixture itself. If you lack these qualifications, do not attempt to perform the installation yourself. Improper installation can result in bodily injury.

# INSTALLATION GUIDELINES

## FIXTURE INSTALLATION

This fixture is fully operational in three different mounting positions: hanging upside-down, mounted sideways on trussing, or set on a flat level surface. Be sure this fixture is kept well away from any flammable materials (decoration etc.). Always use and install the supplied safety cable as a safety measure to prevent accidental damage and/or injury in the event the clamp fails.



**FALLING FIXTURES CAN CAUSE SEVERE INJURY OR SERIOUS EQUIPMENT DAMAGE! FOR THIS REASON, FIXTURES SHOULD BE INSTALLED AND INSPECTED ONLY BY QUALIFIED PERSONNEL. DO NOT INSTALL THE UNIT IF YOU LACK THE QUALIFICATIONS TO DO SO, OR IF YOU HAVE DOUBTS ABOUT THE SAFETY AND SECURITY OF THE INSTALLATION SETUP OR LOCATION!**



**ALWAYS ATTACH A SAFETY CABLE WHENEVER INSTALLING THIS FIXTURE IN A SUSPENDED ENVIRONMENT TO ENSURE THE FIXTURE WILL NOT FALL IF THE CLAMP FAILS.**

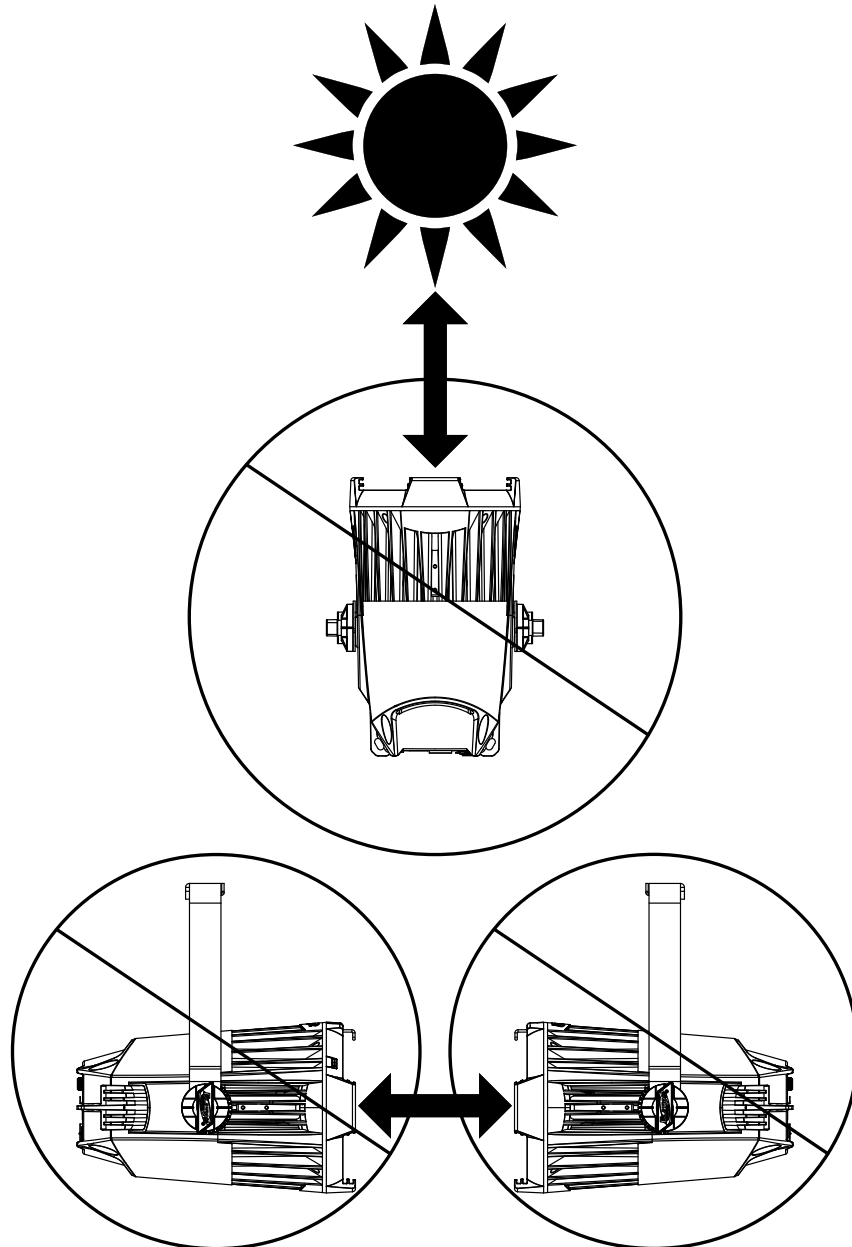
# INSTALLATION GUIDELINES

## POTENTIAL INTERNAL FIXTURE DAMAGE FROM EXTERNAL SOURCES OF LIGHT BEAMS

External sources of light beams from direct sunlight, lighting moving head fixtures, and lasers, which are focused directly towards the exterior housing and/or penetrate the front lens opening of ELATION lighting fixtures, can cause severe internal damage including burning to optics, dichroic color filters, glass and metal gobos, prisms, animation wheels, frost filters, iris, shutters, motors, belts, wiring, discharge lamps, and LEDs.

This issue is not specific only to ELATION lighting fixtures, it is a common issue with lighting fixtures from all manufacturers. Although there is no true way to fully prevent this issue from happening, the guidelines below can prevent any potential damage from occurring if followed. Contact ELATION Service for more details.

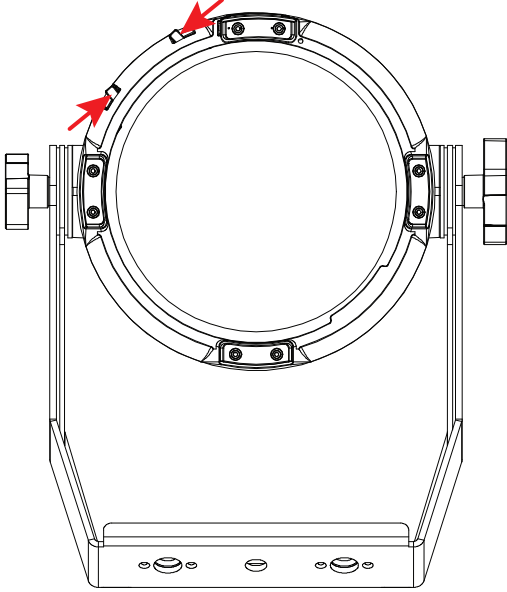
**DO NOT EXPOSE THE FIXTURE AND/OR FRONT LENS OPENING TO LIGHT BEAMS FROM DIRECT SUNLIGHT, OTHER LIGHTING MOVING HEAD FIXTURES, AND LASERS WHILE UNPACKING, INSTALLATION, USE, AND EXTENDED IDLE TIMES OUTDOORS. DO NOT FOCUS A LIGHT BEAM FROM ONE LIGHTING FIXTURE DIRECTLY TOWARDS ANOTHER.**



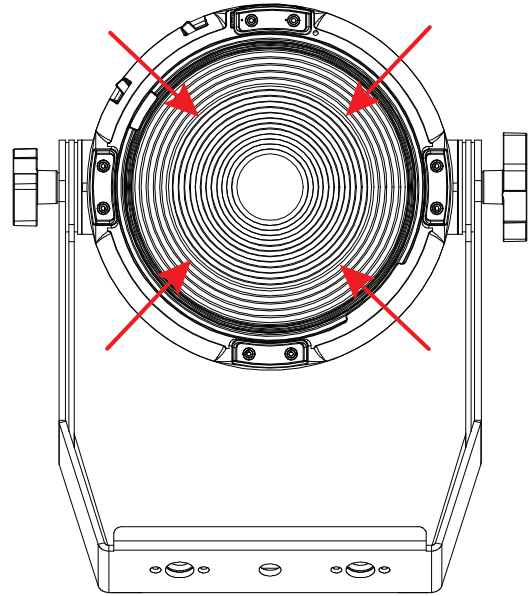
# ACCESSORY INSTALLATION

## LENS INSTALLATION

1. Locate the lens lock latches on the front of the fixture. Pinch the latches towards each other and hold in place.

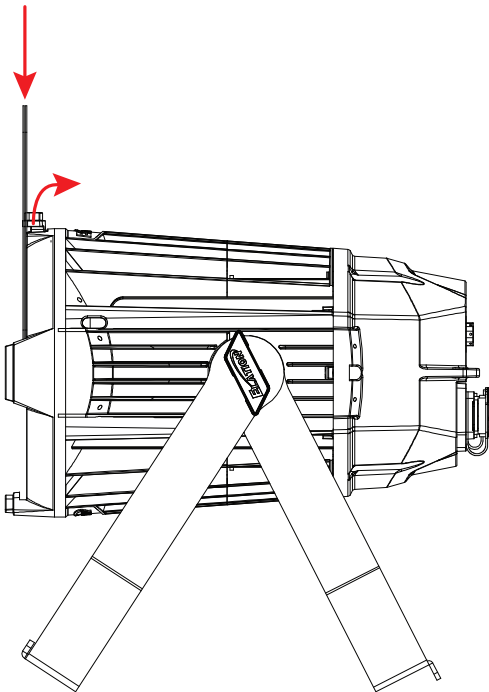


2. Insert the optional lens into position on top of the forward face of the fixture, then release the latches to fix in place.

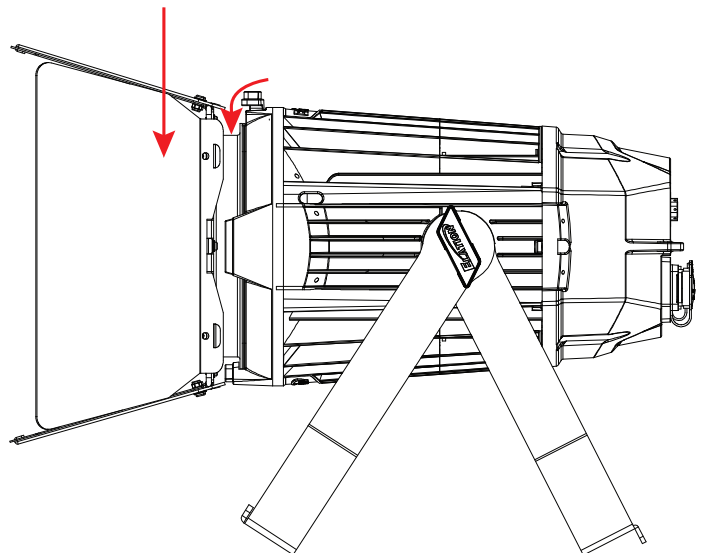


## BARNDOOR AND GEL FRAME INSTALLATION

1. Open the gel frame latch and slide the gel frame into the slot.



2. Slide the barndoor into the slot in front of the gel frame, then close the gel frame latch to secure in place.



# REMOTE DEVICE MANAGEMENT (RDM)

**NOTE: In order for RDM to work properly, RDM enabled equipment must be used throughout the entire system, including DMX data splitters and wireless systems.**

Remote Device Management (RDM) is a protocol that sits on top of the DMX512 data standard for lighting, and allows the DMX systems of the fixtures to be modified and monitored remotely. This protocol is ideal for instances in which a unit is installed in a location that is not easily accessible.

With RDM, the DMX512 system becomes bi-directional, allowing a compatible RDM enabled controller to send out a signal to devices on the wire, as well as allowing the fixture to respond (known as a GET command). The controller can then use its SET command to modify settings that would typically have to be changed or viewed directly via the unit's display screen, including the DMX Address, DMX Channel Mode, and Temperature Sensors.

## FIXTURE RDM INFORMATION:

Device ID	Device Model ID	RDM Code	Personality ID
002F	47	22A6	001 01CH
			002 06CH
			003 11CH
			004 18CH
			005 19CH
			006 09CH
			007 14CH
			008 15CH

Please be aware that **not all RDM devices support all RDM features**, and therefore it is important to check beforehand to ensure that the equipment that you are considering includes all of the features that you require.

The following parameters are accessible in RDM on this device:

[0x0011] Proxied Device Count	[0x0015] Comms Status	[0x0122] Default Slot Value
[0x0200] Sensor Definition	[0x0031] Status ID Description	[0x00B0] Language
[0x0201] Sensor Value	[0x0032] Clear Status ID	[0x00A0] Language Capabilities
[0x0080] Device Model Description	[0x0405] Device Power Cycles	[0x00C2] Boot Software Version Label
[0x0081] Manufacturer Label	[0x0500] Display Invert	[0x00C1] Boot Software Version ID
[0x0082] Device Label	[0x0501] Display Level	[0x0070] Product Detail ID List
[0x00E0] DMX Personality	[0x0603] Realtime Clock	[0x0030] Status Messages
[0x00E1] DMX Personality Description	[0x1010] Power State	[0x1001] Reset Device
[0x0400] Device Hours	[0x1031] Preset Playback	



# COLOURTUNE TECHNOLOGY

The **KL PAR FC IP** features our latest advanced fixture software, **ColourTune Technology**. This innovative software offers various features to enhance the control and precision of the fixture and the light it creates.

## COLOR TUNING

This feature allows users to select between Highest Output, Highest Fidelity, or a blend of both. When Highest Output is chosen, the fixture prioritizes intensity by producing the selected CCT and color settings at maximum output while maintaining the best color fidelity possible. When Highest Fidelity is selected, the fixture prioritizes light quality by generating the selected CCT and color settings at the highest fidelity possible while offering the best intensity it can. The difference between fidelity and output changes varies depending on the CCT and color settings. Selecting Balanced Output and Fidelity equally prioritizes fidelity and output to produce the selected CCT and color settings with balanced fidelity and output.

## OUTPUT BALANCE

Output Balance settings allow users to choose between Bright and Uniform (Elation Full Spectrum Match). This setting enables color tone balancing across multiple fixture models that also use Elation's Full Spectrum Engine. Selecting the Uniform setting reduces the intensity of some primary colors to ensure all mixed colors match across multiple fixture models. The Uniform setting also ensures color temperature and output levels are closely matched across fixtures of the same model.

## 16-BIT CCT CONTROL

In a DMX mode with 16-bit CCT control, fully variable CCT values are available, and adjustments of 1 degree Kelvin are achievable.

## DIM TO WARM

With this feature activated, the fixture emulates a tungsten lamp by decreasing the color temperature as it dims. This works with any set CCT value, and only affects the output if a base CCT is established.

## WHITE POINT ADJUSTMENT

The White Point Adjustment feature allows users to set a desired CCT value, and then mix color from that white set point. This color can be mixed manually through adjusting the primary color channels, or by selecting a color in the virtual swatch book.

## VIRTUAL SWATCH BOOK FADE

The ability to fade between two virtual swatch book color selections has been added. Users can select a fade time using the Dimmer Delay Time setting in the Dim Mode Control Channel. Changing between colors in the swatch book will then utilize the chosen timing.

# SYSTEM MENU

The fixture includes an easy to navigate system menu. The control panel display is located on the rear panel of the fixture (see image below) and provides access to the main system menu, where all necessary system adjustments are made to the fixture. During normal operation, pressing the MODE button once will access the fixture's main menu. Once in the main menu you can navigate through the different functions and access the sub-menus with the DOWN and UP buttons. Once you reach a field that requires adjusting, press the ENTER button to activate that field and use the DOWN and UP buttons to adjust the field. Pressing the ENTER button once more will confirm the setting. Exit the main menu at any time without making any adjustments by pressing the MODE button.

The control panel also features a touch sensitive slider bar located below the display. When the device is configured in Touch Bar Mode, this bar can be used to easily control a variety of functions. See the **Touch Bar Mode** section of this manual for detailed information.

The display screen will shut OFF automatically after 30 seconds of inactivity. To turn the display back on, press and hold the MODE button for 5 seconds.



**AN ELATION C-LOADER II CAN ALSO BE USED TO UPDATE THE FIXTURE TO THE LATEST SOFTWARE. To order this device, please contact Elation Support for further details.**

Detailed instructions can be found online at [www.elationlighting.com](http://www.elationlighting.com).

**ELATION SERVICE USA - Monday - Friday 8:00am to 4:30pm PST  
323-582-3322 | support@elationlighting.com**

**ELATION SERVICE EUROPE - Monday - Friday 08:30 to 17:00 CET  
+31 45 546 85 63 | Fax +31 45 546 85 96 | support@elationlighting.eu**

# SYSTEM MENU

TOUCH BAR MODE	Disabled	For use when running fixture in DMX mode		
	Dimmer	For use when running fixture in dimmer mode		
	Int CCT Grn	For use when running fixture in CCT mode with touch bar control		
	Int Color Sat	For use when running fixture in color mode with touch bar control		
	Manual Control	For use when running fixture in manual control mode with touch bar control		
DMX	DMX Address	<b>001</b> - 512		
	DMX Mode	<b>1CH Dimmer</b> , 6CH Dimmer Color, 11CH Standard, 18CH Legacy Extended, 19CH Extended, 9CH CMY, 14CH Legacy CMY Extended, 15CH CMY Extended		
	No DMX Status	<b>Hold Last</b> , Fade to Black, Standalone		
CONTROL	Dimmer	000% - <b>100%</b>		
	Manual Color	Red	0 - <b>255</b>	
		Green	0 - <b>255</b>	
		Blue	0 - <b>255</b>	
		Mint	0 - <b>255</b>	
		Amber	0 - <b>255</b>	
		CCT	2400K - 8500K (default = <b>6000K</b> )	
		Green Shift	-100% ~ +100% (default = <b>0</b> )	
		Virtual Color	See <b>Color Macros</b>	
	Primary	On / <b>Off</b>		
	Secondary	On / <b>Off</b>		
Self Test	All, Dimmer, Color			
SETTINGS	Dim Modes	<b>Standard</b> , Stage, TV, Architectural, Theatre, Stage 2		
		Dim Speed	0s - 10s (default = <b>0.1s</b> )	
	Dim to Warm	On / <b>Off</b>		
	Dim Curves	Linear, Square, Squre Inverse, <b>S-Curve</b>		
	LED Refresh Rate	900Hz - 1500Hz ( <b>1200Hz</b> ), 2500Hz, 4000Hz, 5000Hz, 6000Hz, 10KHz, 15KHz, 20KHz, 25KHz		
	Color Tuning	Highest Fidelity		
		Balanced Output and Fidelity		
		<b>Highest Output</b>		
	Output Balance	<b>Bright (Highest Output)</b>		
		Uniform (Elation Full Spectrum Match)		
	LED Power Limit	50%, 60%, 70%, 80%, 90%, <b>100%</b>		
	Fan Mode	<b>Auto</b> , High, Silent		
	Display	Screen Delay	10s - 5min (default = <b>1min</b> )	
		Screen Lock	<b>Off</b> , 10s - 5min	
Rotate Display		Yes		
		<b>No</b>		
Reset Defaults	Yes / <b>No</b>			

# SYSTEM MENU

<b>INFORMATION</b>	Time	Current Run Time, Total Run Time, Last Run Time
	Temperature	Current, Max Resettable
	DMX Values	Red, Green, ....
	Product IDs	RDM UID
	Error Logs	Fixture Errors
	Software Version	Vx.x
<b>SERVICE</b> (passcode = 050)	Calibration	Red 0 - 255
		Green 0 - 255
		Blue 0 - 255
		Mint 0 - 255
		Amber 0 - 255
	Reset Last Run	Yes / No
	Reset Error Logs	Yes / No

# TOUCH BAR MODE

When the device has been set to Touch Bar mode, the lighting display can be adjusted using the touch bar located below the display screen. The touch bar is located just below the display screen, as shown below.



To enter Touch Bar mode, select the TOUCH BAR MODE option from the main system menu, as described in the System Menu section of this manual. Then use the UP and DOWN buttons to scroll through the different modes. Each mode is represented by one of the tables below. Press ENTER to select the mode that is currently displayed.

DIMMER MODE			
PARAMETER	VALUE	RESOLUTION	DEFAULT
Intensity	Intensity 0-100%	1%	0%

INT CCT GRN MODE			
PARAMETER	VALUE	RESOLUTION	DEFAULT
Intensity	Intensity 0-100%	1%	0%
Color Temperature	CCT 2400 - 8500K	100K	6000K
Green Shift	GRN -100% to +100%	1%	Neutral

INT COLOR SAT MODE			
PARAMETER	VALUE	RESOLUTION	DEFAULT
Intensity	Intensity 0-100%	1%	0%
Color	Virtual Color 1, 2, 3, 4...	Single Color	
Saturation	Sat 0 - 100%	1%	100%

MANUAL CONTROL MODE			
PARAMETER	VALUE	RESOLUTION	DEFAULT
Intensity	Intensity 0-100%	1%	100%
Strobe	Strobe 0-255	1	0
Red	Red 0-255	1	0
Green	Green 0-255	1	0
Blue	Blue 0-255	1	0
Mint	Mint 0-255	1	0
Amber	Amber 0-255	1	0

# FAN CONTROL AND LOW NOISE OPERATION

This fixture is a high-performance device suited for multiple applications. For noise critical environments such as Theater, Opera, or Orchestral Halls, it offers various fan operation modes which remove unwanted noise distractions for the audience and performers. Fan Modes can be changed remotely via the DMX control channel, allowing the fixture to offer high output or whisper-silent operation at a moment's notice.

**Auto (Default)** – Fans only run at the speeds needed to keep the LED engine within a safe temperature range, and ensures optimal performance of the fixture. They will turn off if possible; for example, when the fixture is dimmed to a low intensity. Fans sense the ambient and fixture temperature and will, at all times, try to keep noise levels at a minimum. The fixture output will only be reduced when the LED engine cannot be cooled to its safe operating range due to a high ambient temperature.

**NOTE: This mode is recommended for daily operation.**

**Silent** - 75-80% max output, fans run at low speed.

**High** – Fan speeds are increased throughout the fixture for the most efficient cooling. This mode will increase wear on the fans and should only be utilized in exceptional circumstances. Fans will always run, even if the fixture is dimmed. Fixture output is kept at 100% unless the LED engine temperature reaches an unsafe temperature, at which point the fixture will reduce power carefully to ensure continued safe operation. This mode is only required in very high ambient temperatures when automatic fan speed adjustments are not desired.

# DMX TRAITS

Dim 1Ch	Dim Color 6Ch	Std 11Ch	Leg Ext 18Ch	Ext 19Ch	CMY 9Ch	Leg CMY Ext 14Ch	CMY Ext 15Ch	DMX Values	Function	Snap	Def Value
1	1	1	1	1	1	1	1	0-255	<b>Dimmer</b> Intensity, 0% → 100%		0
	2	2	2	2	2	2	2	0-255	<b>Dimmer Fine</b> Fine Intensity Control		0
	3	3	3	3	3	3	3	0-31	<b>Shutter/Strobe</b> Shutter closed		50
								32-63	No function (shutter open)		
								64-95	Strobe effect, slow to fast		
								96-127	No function (shutter open)		
								128-159	Pulse effect (in sequence)		
								160-191	No function (shutter open)		
								192-223	Random strobe effect, slow to fast		
								224-255	No function (shutter open)		
		4	4	4				0-255	<b>Red</b> 0% → 100%		0
			5	5				0-255	<b>Red Fine</b> Fine Adjustment		0
		5	6	6				0-255	<b>Green</b> 0% → 100%		0
			7	7				0-255	<b>Green Fine</b> Fine Adjustment		0
		6	8	8				0-255	<b>Blue</b> 0% → 100%		0
			9	9				0-255	<b>Blue Fine</b> Fine Adjustment		0
		7	10	10				0-255	<b>Mint</b> 0% → 100%		0
			11	11				0-255	<b>Mint Fine</b> Fine Adjustment		0
		8	12	12				0-255	<b>Amber</b> 0% → 100%		0
			13	13				0-255	<b>Amber Fine</b> Fine Adjustment		0

# DMX TRAITS

Dim 1Ch	Dim Color 6Ch	Std 11Ch	Leg Ext 18Ch	Ext 19Ch	CMY 9Ch	Leg CMY Ext 14Ch	CMY Ext 15Ch	DMX Values	Function	Snap	Def Value
					4	4	4	0-255	<b>Cyan</b> 0% → 100%		0
						5	5	0-255	<b>Cyan Fine</b> Fine Adjustment		0
					5	6	6	0-255	<b>Magenta</b> 0% → 100%		0
						7	7	0-255	<b>Magenta Fine</b> Fine Adjustment		0
					6	8	8	0-255	<b>Yellow</b> 0% → 100%		0
						9	9	0-255	<b>Yellow Fine</b> Fine Adjustment		0
	4	9	14		7	10			<b>CCT Presets</b>		
								0-23	Open		
								24-85	2400K → 8500K (See <b>Color Temperature</b> )	X	0
								86-255	8500K		
				14			10		<b>Variable CCT</b>		
								0-23	Open		0
								24-255	2400K → 8500K (See <b>Color Temperature</b> )		
				15			11		<b>Variable CCT Fine</b>		
								0-255	Fine Adjustment		0
			16	16		12	12		<b>Green Shift</b>		
								0	Idle		
								1-127	Full Minus Green to Neutral		0
								128	Neutral White		
								129-255	Neutral to Full Plus Green		
									<b>Color</b>		
								0	Open		
								1-179	Virtual Swatch Book, (see Virtual Colors Table)		
									<b>Color Scroll</b>		
								180-201	Clockwise, fast → slow		
								202-207	Stop		
								208-229	Counter-Clockwise, slow → fast		0
								230-234	Open		
									<b>Random Slots</b>		
								235-239	Fast		
								240-244	Medium		
								245-249	Slow		
								250-255	Open		



# DMX TRAITS

Dim 1Ch	Dim Color 6Ch	Std 11Ch	Leg Ext 18Ch	Ext 19Ch	CMY 9Ch	Leg CMY Ext 14Ch	CMY Ext 15Ch	DMX Values	Function	Snap	Def Value
									<b>Dim Modes</b>		
								0-20	Standard		
								21-40	Stage		
								41-60	TV		
								61-80	Architectural		
								81-100	Theatre		
								101-120	Stage 2		
									<b>Dimmer Delay Time</b>		
								121	0s		
								122	0.1s		
								123	0.2s		
								124	0.3s		
								125	0.4s		
								126	0.5s		
								127	0.6s		
								128	0.7s		
			17	18		13	14	129	0.8s	X	0
								130	0.9s		
								131	1.0s		
								132	1.5s		
								133	2.0s		
								134	3.0s		
								135	4.0s		
								136	5.0s		
								137	6.0s		
								138	7.0s		
								139	8.0s		
								140	9.0s		
								141	10.0s		
								142-149	Idle		
									<b>Dim to Warm</b>		
								150-154	DTW On		
								155-159	DTW Off		
								160-255	Idle		

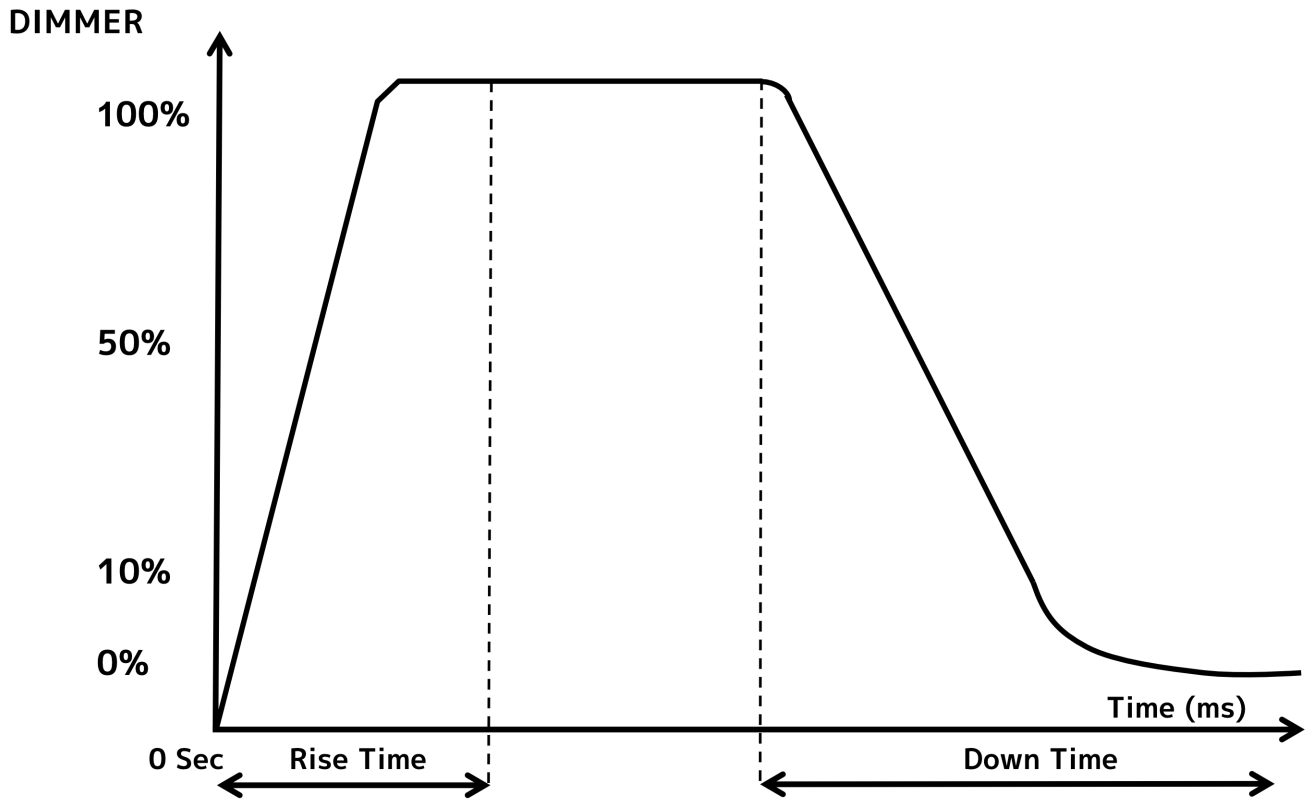
# DMX TRAITS

Dim 1Ch	Dim Color 6Ch	Std 11Ch	Leg Ext 18Ch	Ext 19Ch	CMY 9Ch	Leg CMY Ext 14Ch	CMY Ext 15Ch	DMX Values	Function	Snap	Def Value
									<b>Control</b>		
								0-29	Idle		
								30-39	Fan Mode Auto		
								40-49	Fan Mode Silent		
								50-59	Fan Mode High		
								60-99	Idle		
									<b>Refresh Rate (Hz)</b>		
								100	900		
								101	910		
								102	920		
								103	930		
								104	940		
								105	950		
								106	960		
								107	970		
								108	980		
								109	990		
								110	1000		
								111	1010		
								112	1020		
								113	1030		
								114	1040		
	6	11	18	19	9	14	15	115	1050	X	0
								116	1060		
								117	1070		
								118	1080		
								119	1090		
								120	1100		
								121	1110		
								122	1120		
								123	1130		
								124	1140		
								125	1150		
								126	1160		
								127	1170		
								128	1180		
								129	1190		
								130	1200		
								131	1210		
								132	1220		
								133	1230		
								134	1240		
								135	1250		
								136	1260		

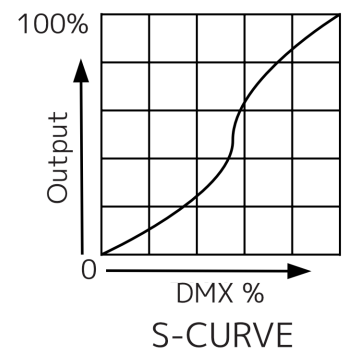
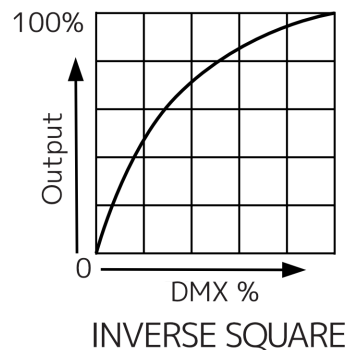
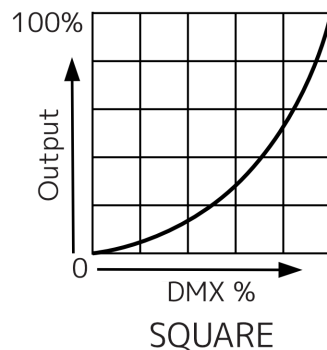
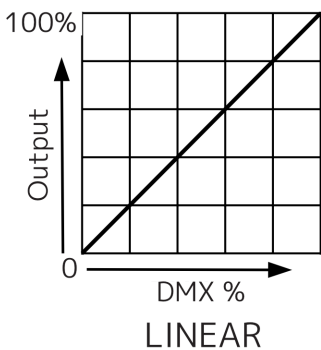
# DMX TRAITS

Dim 1Ch	Dim Color 6Ch	Std 11Ch	Leg Ext 18Ch	Ext 19Ch	CMY 9Ch	Leg CMY Ext 14Ch	CMY Ext 15Ch	DMX Values	Function	Snap	Def Value
								137	1270		
								138	1280		
								139	1290		
								140	1300		
								141	1310		
								142	1320		
								143	1330		
								144	1340		
								145	1350		
								146	1360		
								147	1370		
								148	1380		
								149	1390		
								150	1400		
								151	1410		
								152	1420		
								153	1430		
								154	1440		
								155	1450		
								156	1460		
								157	1470		
								158	1480		
								159	1490		
								160	1500		
	6	11	18	19	9	14	15	161	2500	X	0
								162	4000		
								163	5000		
								164	6000		
								165	10000		
								166	15000		
								167	20000		
								168	25000		
								169-74	Idle		
									<b>Color Tuning</b>		
								175-176	Highest Fidelity		
								177-178	Balanced Output and Fidelity		
								179-180	Highest Output (Default)		
									<b>Output Balance</b>		
								181-182	Bright (Highest Output, Default)		
								183-184	Uniform (Elation Full Spectrum Match)		
								185-200	Idle		
									<b>Dimmer Curves</b>		
								201-210	Dimmer Curve Linear (Default)		
								211-220	Dimmer Curve Square		
								221-230	Dimmer Curve Inverse Square		
								231-240	Dimmer Curve S-Curve		
								241-255	Idle		

# DIMMER MODES & CURVES



Dimming Curve Ramp Effect	0 sec Fade Time		1 sec Fade Time	
	Rise Time (ms)	Down Time (ms)	Rise Time (ms)	Down Time (ms)
Standard (default)	0	0	0	0
Stage	780	1100	1540	1660
TV	1180	1520	1860	1940
Architectural	1380	1730	2040	2120
Theatre	1580	1940	2230	2280
Stage 2	0	1100	0	1660



# COLOR TEMPERATURE CHART

DMX VALUE	COLOR TEMPERATURE (K)	DMX VALUE	COLOR TEMPERATURE (K)
24	2400	63	6300
25	2500	64	6400
26	2600	65	6500
27	2700	66	6600
28	2800	67	6700
29	2900	68	6800
30	3000	69	6900
31	3100	70	7000
32	3200	71	7100
33	3300	72	7200
34	3400	73	7300
35	3500	74	7400
36	3600	75	7500
37	3700	76	7600
38	3800	77	7700
39	3900	78	7800
40	4000	79	7900
41	4100	80	8000
42	4200	81	8100
43	4300	82	8200
44	4400	83	8300
45	4500	84	8400
46	4600	85	8500
47	4700	86	8600
48	4800	87	8700
49	4900	88	8800
50	5000	89	8900
51	5100	90	9000
52	5200	91	9100
53	5300	92	9200
54	5400	93	9300
55	5500	94	9400
56	5600	95	9500
57	5700	96	9600
58	5800	97	9700
59	5900	98	9800
60	6000	99	9900
61	6100	100	10000
62	6200		

To calculate the CCT value in 16-bit mode, use the following formula:

$$\mathbf{16\text{Bit Value} = 59391 \times (\text{Desired CCT} - 2400) / 6100 + 6144}$$

# COLOR MACROS CHART

VALUE	FILTER #	COLOR	VALUE	FILTER #	COLOR
1	7	Pale Yellow	31	126	Mauve
2	103	Straw	32	49	Medium Purple
3	151	Gold Tint	33	58	Lavender
4	100	Spring Yellow	34	199	Palace Blue
5	10	Medium Yellow	35	119	Dark Blue
6	101	Yellow	36	132	Medium Blue
7	104	Deep Amber	37	120	Deep Blue
8	15	Deep Straw	38	165	Daylight Blue
9	179	Loving Amber	39	161	Slate Blue
10	21	Gold Amber	40	118	Light Blue
11	105	Orange	41	68	Sky Blue
12	158	Deep Orange	42	143	Pale Navy Blue
13	22	Dark Amber	43	131	Marine Blue
14	778	Millennium Gold	44	115	Peacock Blue
15	135	Deep Golden Amber	45	172	Lagoon Blue
16	24	Scarlet	46	116	Medium Blue Green
17	106	Primary Red	47	90	Dark Yellow Green
18	26	Bright Red	48	139	Primary Green
19	27	Medium Red	49	122	Fern Green
20	19	Fire	50	89	Moss Green
21	157	Pink	51	124	Dark Green
22	36	Medium Pink	52	88	Lime Green
23	111	Dark Pink	53	138	Pale Green
24	128	Bright Pink	54	203	Quarter CT Blue
25	148	Bright Rose	55	202	Half CT Blue
26	332	Special Rose Pink	56	201	FULL CT Blue
27	793	Vanity Fair	57	200	Double CT Blue
28	113	Magenta	58	206	Quarter CT Orange
29	46	Dark Magenta	59	205	Half CT Orange
30	48	Rose Purple	60	204	FULL CT Orange

# TORQUE SETTINGS FOR SCREWS

IN ORDER TO MAINTAIN THE IP65 RATING ON THE LIGHTING FIXTURES, ALL SCREWS MUST BE TIGHTENED TO THE FOLLOWING TORQUE SPECIFICATION USING A TORQUE DRIVER.

Refer to the table and diagram below for torque specifications.

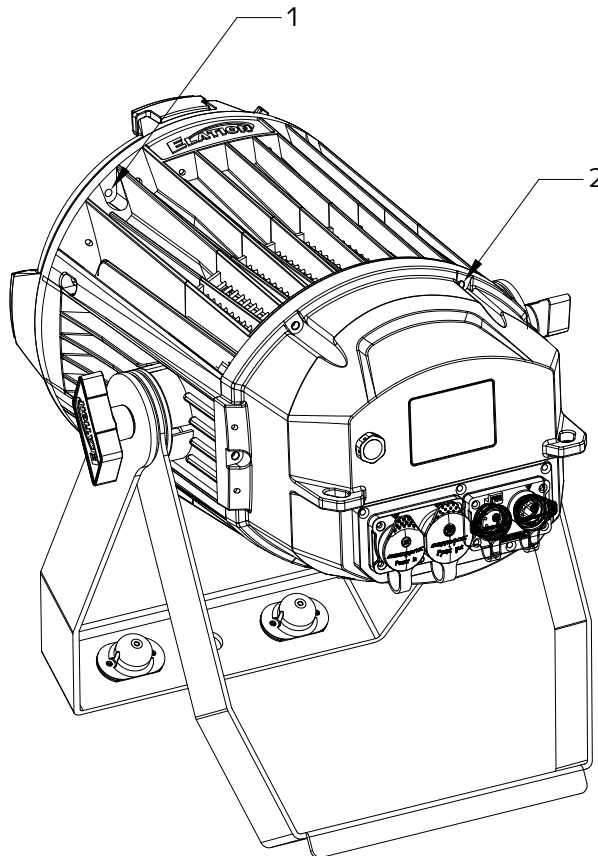
TORQUE DRIVERS (Recommended): UTICA TS-30 (shown)

ALTERNATE DRIVERS:

- Proto J6107A
- Wiha 28887



**CAUTION! DO NOT OVER TORQUE SCREWS, AS THIS CAN CAUSE LEAKAGE ISSUES!**

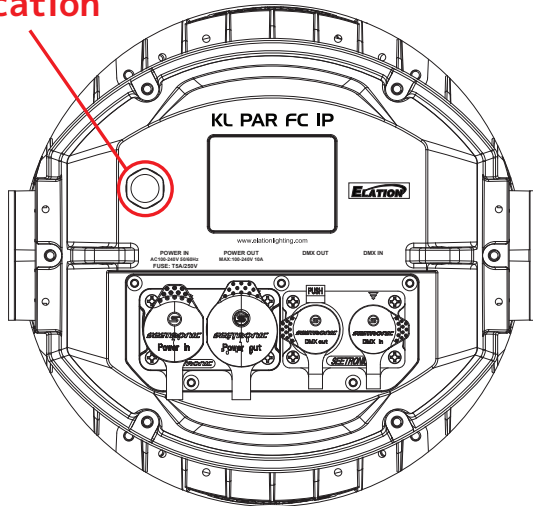


NO.	LOCATION	QUANTITY	TORQUE
1	Front Cover	8	8.7 ± 0.4 lb-in (10.0 ± 0.5 kg-cm)
2	Back Cover	6	8.7 ± 0.4 lb-in (10.0 ± 0.5 kg-cm)

# IP TEST PARAMETERS

Following any repair or maintenance procedure that requires disassembly of the fixture, use Elation's IP Tester to confirm the IP integrity of the fixture. The air valve is located on the back panel next to the display screen, as shown in the diagram below. Please contact Elation Service for information regarding the Elation IP Tester, or visit the product information page online at: <https://www.elationlighting.com/ip-tester>

**Air Valve Location**



**CAUTION! THE USE OF PROTECTIVE GLOVES AND SAFETY GOGGLES IS STRONGLY RECOMMENDED WHILE PERFORMING THE IP PRESSURE TEST! AVOID PLACING YOUR FACE, EYES, HANDS, ETC IN CLOSE PROXIMITY TO THE FIXTURE'S LENS WHILE PERFORMING THE TEST!**

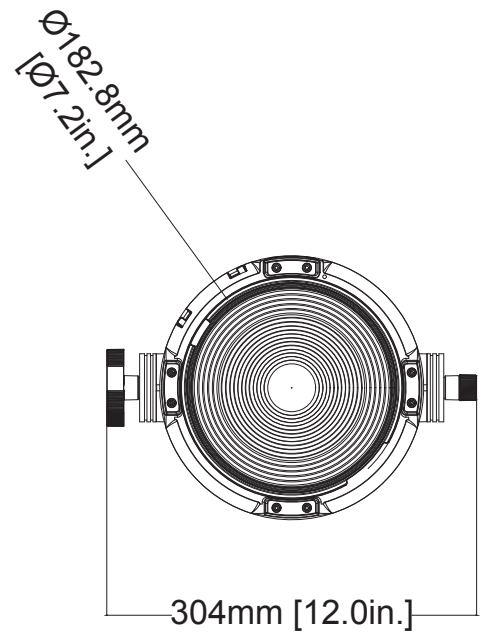
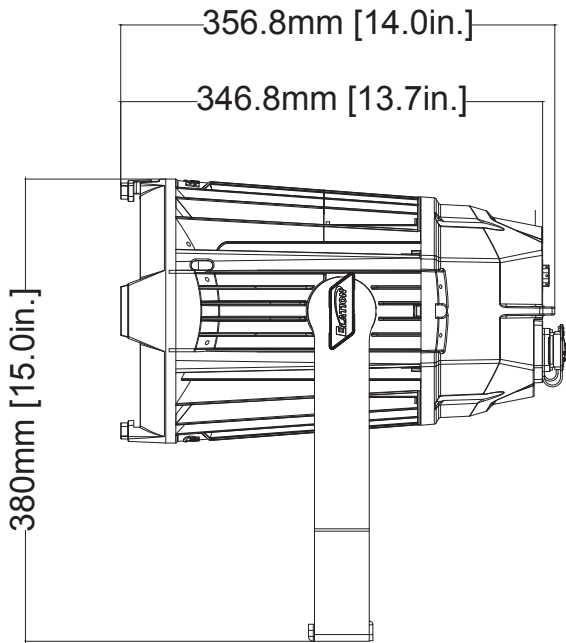
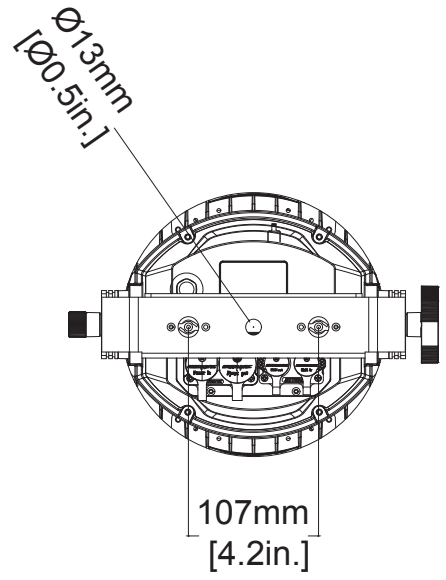
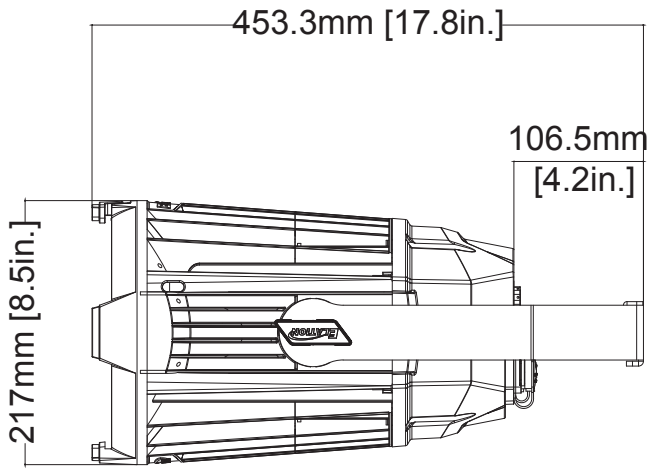
**DE-HUMIDIFICATION:** IP65 fixtures operating in high-humidity environments may experience residual fogging or condensation. Such fogging will not damage the fixture, and can be removed using the following procedure: position the unit with the air valve pointing upwards, then open the air valve and run the unit for 1-2 hours after reaching operating temperature. Then, while the fixture is still hot, re-install the air valve and allow the unit to cool down. Please note that this procedure should be performed in a dry, air-conditioned environment. Avoid additional fogging by drying the fixture completely before placing into a road case.



IP PRESSURE TESTING PARAMETERS				
Low Pressure Limit	High Pressure Limit	Balance Time	Inspection Time	Acceptable Leakage
2.901 psi (20.0 KPa)	3.336 psi (23.0 KPa)	15 sec	15 sec	0.015 psi (0.1 KPa) (100 Pa)



# DIMENSIONAL DRAWINGS



# SPECIFICATIONS

## SOURCE

360W 6000K RGBMA LED Engine

50,000 Hour Average LED Life\*

\*May vary depending on several factors including but not limited to: Environmental Conditions, Power/Voltage, Usage Patterns (On

Off Cycling), Control and Dimming.

## PHOTOMETRIC DATA

Total Lumen Output

- 11,263 (Integrating Sphere)

- 10,900 (Goniometer)

CRI 94.9

TLCI 95

## INCLUDED LENSES

VNSP (10°)

NSP (22°)

MFL (30°)

WFL (55°)

## EFFECTS

Electronic Dimmer and Strobe

Variable 16-bit Dimming Modes and Curves

## COLOR

High Brightness and High Fidelity Output  
Options

RGBMA Color Array

CMY Emulation

16bit Fully Variable CCT 2400K - 8500K

Green/Magenta Shift

Dim-to-Warm Fade

Virtual Gel Swatch Book

## CONTROL / CONNECTIONS

8 DMX Channel Modes (1, 6, 11, 18, 19, 9, 14, 15)

Manual and DMX Controlled Dimmer and Color  
Single Touch Bar Encoder

4 Button Control Panel, LED Display

RDM (Remote Device Management)

IP65 5pin DMX and IP65 Locking Power Cable In/  
Out

## SIZE / WEIGHT

Length: 8.5" (217mm)

Width: 12.0" (304mm)

Vertical Height: 17.8" (453.3mm)

Weight: 16.53 lbs. (7.5kg)

## ELECTRICAL / THERMAL

AC 100-240V - 50/60Hz

375W Max Power Consumption

Power Thru Capacity: 3 units @ 115V, 6 units @  
240V

5°F to 113°F (-15°C to 45°C)

BTU/hr (+/- 10%) 1278.75

## INCLUDED ITEMS

7.5" Gel Frame

4 Lenses (10°, 22°, 30°, 55°)

IP65 Locking Power Cable

## OPTIONAL ITEMS

7.5" Barndoors

XWFL (90°) Lens

23° Ovalizer Lens

#8050000053 (Omega Bracket)

4 Wire Hardwire Installation Plate (HWP404)

2 Wire Hardwire Installation Plate (HWP202)

## APPROVALS / RATINGS

CE | cETLus | IP65 | FCC | UKCA

Specifications and documentation subject to change  
without notice.

# ORDERING INFORMATION

SKU (US)	SKU (EU)	ITEM DESCRIPTION
KLP528	1237000279	KL Par FC IP
KLP959	1236100143	7.5" Barndoors
KLP987	1236100144	XWFL Lens
KLP988	1236100145	Glass Lens
KLP993	1236100192	Ovalizer Lens
8050000053	8050000053	Omega Bracket

## FCC STATEMENT

This device complies with Part 15 of the FCC Rules. Operation is subject to the following two conditions: (1) this device may not cause harmful interference, and (2) this device must accept any interference received, including interference that may cause undesired operation.

### FCC RADIO FREQUENCY INTERFERENCE WARNINGS & INSTRUCTIONS

This product has been tested and found to comply with the limits as per Part 15 of the FCC Rules. These limits are designed to provide reasonable protection against harmful interference in a residential installation. This device uses and can radiate radio frequency energy and, if not installed and used in accordance with the included instructions, may cause harmful interference to radio communications. However, there is no guarantee that interference will not occur in a particular installation. If this device does cause harmful interference to radio or television reception, which can be determined by turning the device off and on, the user is encouraged to try to correct the interference by one or more of the following methods:

- Reorient or relocate the device.
- Increase the separation between the device and the receiver.
- Connect the device to an electrical outlet on a circuit different from which the radio receiver is connected.
- Consult the dealer or an experienced radio/TV technician for help.

### Energy Saving Matters (EuP 2009/125/EC)

Saving electric energy is a key to help protecting the environment. Please turn off all electrical products when they are not in use. To avoid power consumption in idle mode, disconnect all electrical equipment from power when not in use. Thank you!



