



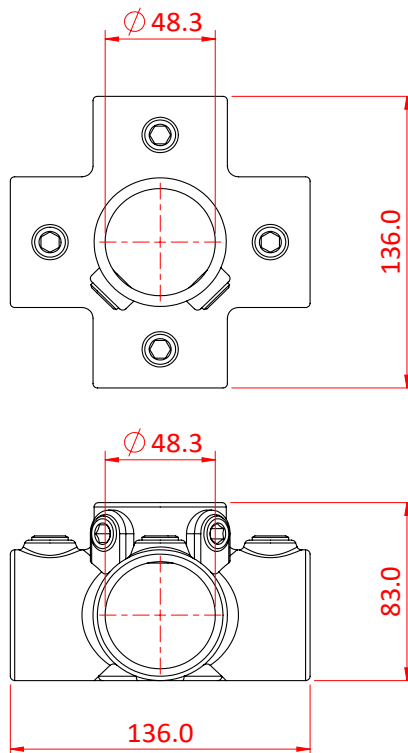
Pipe Clamp Four Way Cross

Product Data Sheet



A galvanized steel Pipe Clamp fitting.	
Part Nos	T15800 - Galvanised
Tube Diameter	Ø48.3mm
Materials	Malleable Iron Fixings - Grade 8.8 BZP
Max Tightening Torque	40Nm
WLL	N/A
Weight	1.58Kg

Dimensions in mm



DIMENSIONS ARE A GUIDE ONLY AND MAY VARY