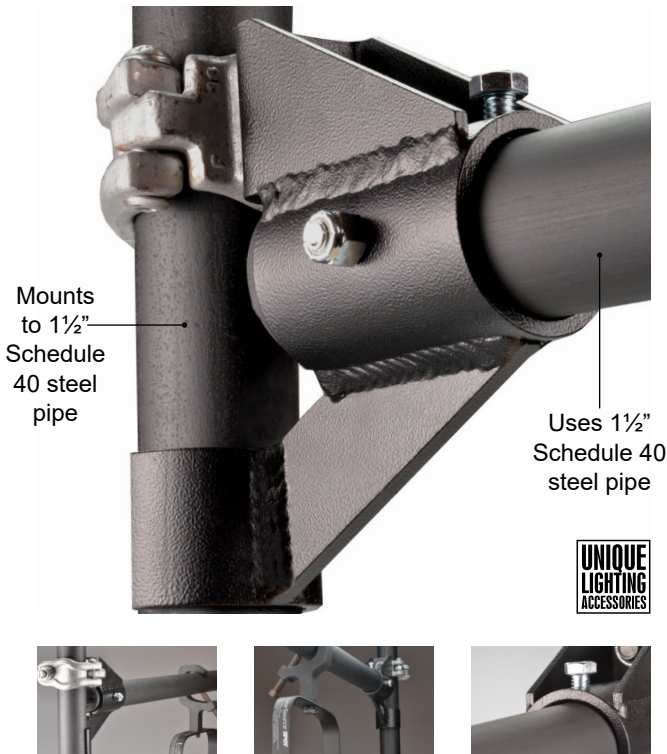


Safer Sidearms™ P/Ns 200 through 290



Theatrical sidearms are asked to do a job they were never designed to do. A typical sidearm is made up of a c-clamp and a piece of 1/2" Schedule 40 steel pipe. When downward pressure is placed on the pipe, it will bend the bolt of the c-clamp permanently and ruin the sidearm.

City Theatrical's Safer Sidearms (P/N 200, 202, 204, 210, 210M, 211, 220, and 290) use a diagonal brace to transfer the load off the clamp and onto the vertical pipe. The steel Safer Sidearm options are bigger and more rugged, designed for speakers and moving lights.

Features:

- City Theatrical Safer Sidearms transfer the load from the lighting fixture back to the structural pipe
- Steel Safer Sidearms use 1 1/2" schedule 40 pipe
- Safer Sidearms Junior augments a standard theatrical sidearm, while the others replace them
- All Safer Sidearms are CE certified and RoHS compliant.

P/N	Name	SWL*	Purpose	Image
200	Safer Sidearms Original (uses 1/2" Schedule 40 steel pipe)	50 lbs.	Safer Sidearm Originals are designed to replace the c-clamp on a standard sidearm. The units incorporate a half coupler and a vertical brace to create stability and are designed to transfer the weight load back to the structural pipe.	
202	Safer Sidearm Original, with 18" of 1/2" pipe and one sliding tee	50 lbs.		
204	Safer Sidearms Original, with 24" of 1/2" pipe and two sliding tees	50 lbs.		
210	Steel Safer Sidearms (uses 1 1/2" Schedule 40 steel pipe, not included)	200 lbs. w/ 3' arm	Steel Safer Sidearms are used to hang speakers or moving lights.	
210M	Better Boom Arm (uses 48mm aluminum tube, pipe not included)	100 lbs. w/ 3' arm	Better Boom Arm only (no pipe). Europe only.	
211	1 1/2" pipe (per foot) drilled for Safer Sidearms	-	1 1/2" pipe only.	
220	Safer Sidearms Junior	50 lbs.	Safer Sidearm Jr. augments a standard sidearm by adding a vertical brace to an existing sidearm.	
290	Pipe End Tail Down (includes 6 feet of 1 1/2" pipe)	200 lbs.	Pipe End Tail Down allows a pipe to be hung vertically and perpendicular to a horizontal theatre hanging position. It uses a double pipe clamp to attach to the structural pipe and comes with a six-foot piece of 1 1/2" pipe and a 3/16" safety cable with shackle through the pipe.	

*Safe Working Load

