



## Rail-Switch II

### Category

E) Interface Products

### Description

6 Mains Relays controlled via DMX512 and RDM



### Mechanical

- Housing: DIN Rail Case
- Material: Lexan Plastic - UL94-V0 rated
- Overall Dimensions: 90mm (H) x 88mm (W) x 62mm (D)
- Mass: 0.2kg
- Mounting: 35mm DIN Rail or Surface Mount
- Country of Manufacture: United Kingdom
- Relay Mechanical Life: 1,000,000 Cycles

### Power & Electrical

- Input Voltage: 9V-24VDC
- Input Connector: (1) 2-pin Screw Terminal DC Voltage Input
- Input Power (max): 10W
- Duty Cycle: 100% @ 25°C
- DC fuse: internal resettable fuse for control electronics

### Environmental

- Operating Temperature: 0°C to 40°C
- Storage Temperature: -10°C to +50°C
- Operating Relative Humidity (max): 80% Non-Condensing
- IP Rating: IP20 Indoor Use Only
- Certification: CE FCC, WEEE, RoHS
- Warranty: 2 Year (Return to Base)

### Configuration / Indication

- Configuration: Start Address (via RDM, individual for each relay), preset, data loss and test modes
- Indication: Power / DMX / RDM / Preset / Test / RDM locate / Relay

### Control / Data connection

- Input Protocols: DMX512, DMX512(1990), DMX512-A, RDM V1.0 (E1.20 - 2006 ESTA Standard)
- Input Connector: (1) 3-pin Screw Terminal DMX Input, (1) 4-pin Screw Terminal DMX Loop / Term
- Output Connector: (6) 3-pin Screw Terminal (Relay Contacts)

### Input / Output

- DMX input mode: non-isolated
- DMX input ESD protection: 12 kV
- DMX input voltage protection +/- 80V
- Relay Maximum switching voltage: 250VAC
- Relay Maximum peak current: 8A
- Relay Rated load (AC1 non-inductive): 2,000VA
- Relay Rated load (AC15 inductive): 500VA
- Relay Rated load (Single phase motor): 0.37kW
- Relay Minimum load: 500mW
- Relay style: volt-free
- Relay type: changeover
- Relay isolation: 1 kV between contacts

### Package Contents

- Rail-Switch
- User-Guide

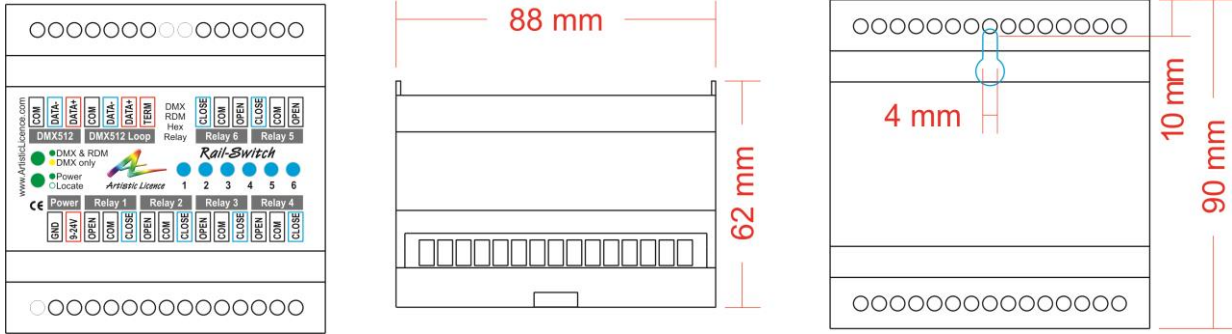
### Ordering Info

Product Code: Rail-Switch

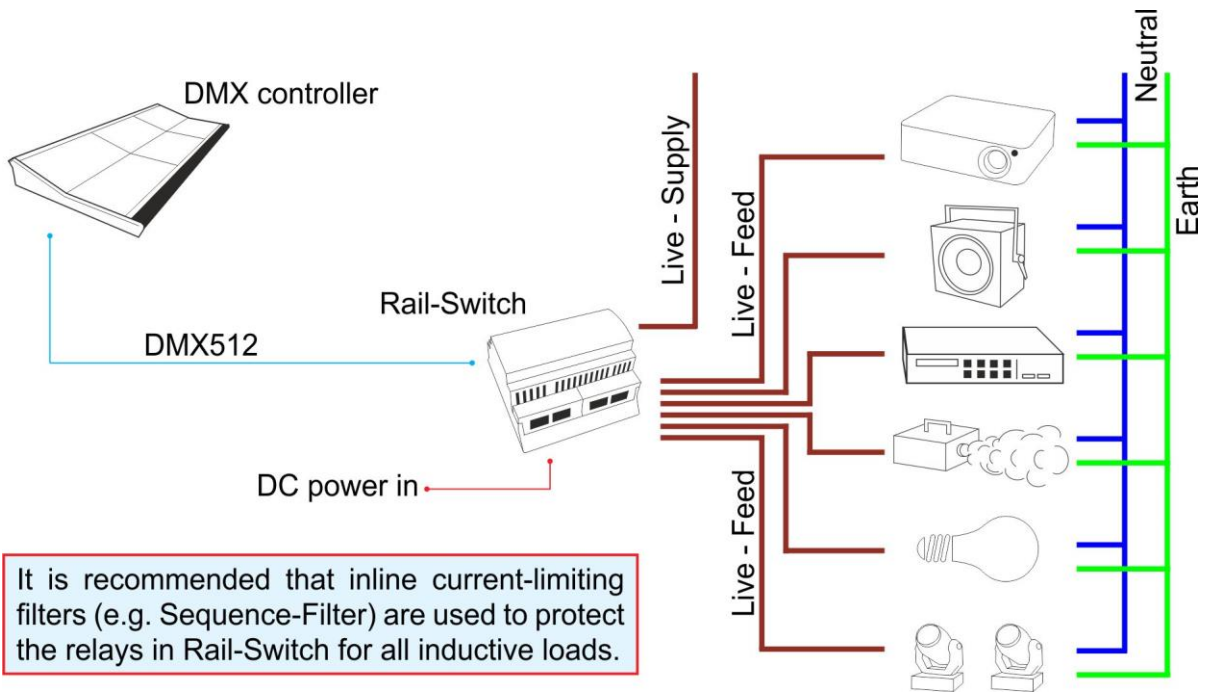
Accessories (not included): PSU-24-2-DR, Sequence Filter



Mounting Drawing



Application Drawing



[www.ArtisticLicence.com](http://www.ArtisticLicence.com)

Artistic Licence, The Mould Making Workshop  
Soby Mews, Bovey Tracey, TQ13 9JG, UK

Sales@ArtisticLicence.com  
Support@ArtisticLicence.com  
Tel: +44 (0) 20 8863 4515

*Due to our policy of continuing product improvement specifications are subject to change without notice*

