



artLynx duo

Category

C) Ethernet and Art-Net

Description

Two universe Art-Net to DMX512 & RDM (or sACN to DMX512) converter

Mechanical

- Housing: DIN Rail Case
- Material: Polycarbonate Plastic - UL94-V0 rated
- Overall Dimensions: 88mm (W) x 90mm (H) x 62mm (D)
- Mass: 0.15kg
- Mounting: DIN Rail (35mm) or Surface Mount
- Country of Manufacture: United Kingdom

Power & Electrical

- Input Voltage: 9-48 VDC
- Input Connector: 2-pin screw terminal
- Input Power (max): 2W
- DC fuse: Internal resettable fuse for control electronics

Environmental

- Operating Temperature: 0°C to 40°C
- Storage Temperature: -10°C to +50°C
- Operating Relative Humidity (max): 80% Non-Condensing
- IP Rating: IP20 Indoor Use Only
- Certification: CE, WEEE, RoHS
- Warranty: 2 Year (Return to Base)

Configuration / Indication

- Remote: Internal web browser, DMX-Workshop
- Manual: Factory reset button / Squawk
- LED Indication: Power / Network Activity / DMX Activity



Control / Data Connections

- Input Protocols: Art-Net, sACN
- Ethernet Connector: (1) RJ45 supports 10/100BaseT and PoE (IEEE 802.3af); isolated to 1 kV
- Output Protocols: DMX512, DMX512 (1990), DMX512-A, RDM V1.0 (E1.20 - 2006 ESTA Standard)
- DMX Connector: (2) 3-pin screw terminal (2.5mm² max wire size)

DMX512 Outputs

- Mode: floating
- Isolation: n/a
- ESD protection: 15 kV
- Electrocution protection: 425 VAC continuous connection (self-healing)

Package Contents

- artLynx duo
- User Guide

Ordering Info

Product Code: artLynx duo

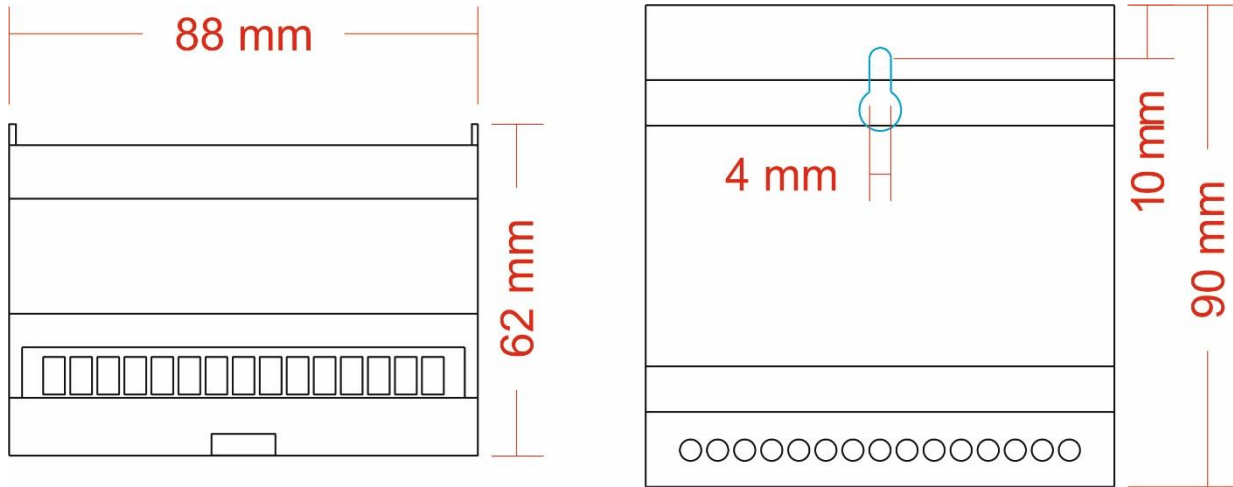
Accessories (not included):

PSU-9-1.5-FER

Art-Switch PoE4 & PSU-48-1-DR (powers up to 4 units)

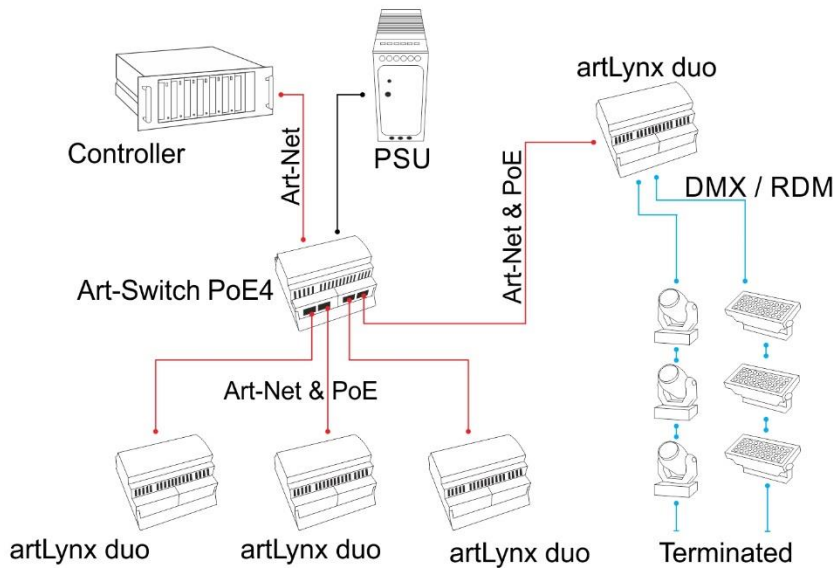


Mounting Drawing



Application Drawing

In this example, four artLynx duo products are powered using PoE supplied by an Art-Switch PoE4. Each artLynx duo can convert up to 2 Universes of data.



www.ArtisticLicence.com

Artistic Licence, The Mould Making Workshop
Soby Mews, Bovey Tracey, TQ13 9JG, UK

Sales@ArtisticLicence.com
Support@ArtisticLicence.com
Tel: +44 (0) 20 8863 4515

Due to our policy of continuing product improvement specifications are subject to change without notice

