



artLynx duo

User Guide



Please read these instructions before using the product.

This product has been designed & manufactured for professional use only. It should only be installed by a suitably qualified technician and in accordance with electrical regulations in the country of use.

Unless directed in the instructions there are no user serviceable parts inside the outer case of this product.

Always disconnect from the power supply when not in use.

Any specific IP rating, where appropriate, is given in the instructions. Unless otherwise stated this product is designed for indoor use only. If used outdoors it **MUST** be installed in an appropriate IP rated cabinet. Do not allow this product to be exposed to rain or moisture. Do not allow liquid to penetrate the product.

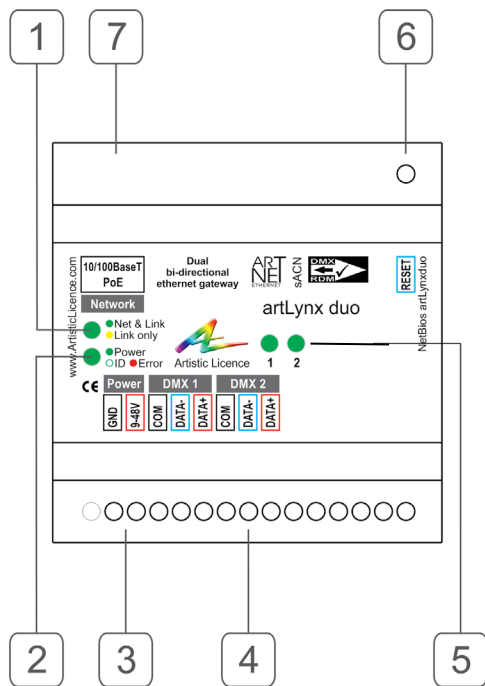
Please recycle all packaging.

Copyright © Artistic Licence Engineering Ltd. All rights reserved.

Download the user guide by scanning the following QR code:

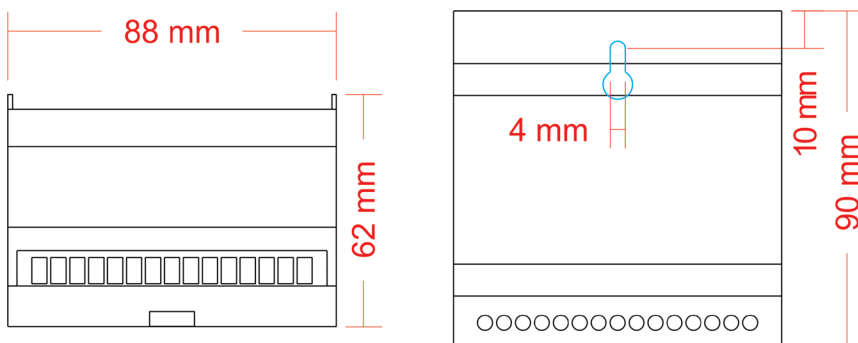


Connections



Ref.	Type	Description
1	LED	Network indicator
2	LED	Power / Identify indicator
3	Power input	12-48 VDC
4	Data Connection	DMX port
5	LED	DMX indicators
6	Configuration switch (located under cover)	Squawk (single press) OR Factory reset (hold down and cycle power)
7	Data/PoE Connection	RJ45

Mounting Diagram



Internal Earth and Isolation

The following table summarises the internal signal common interconnection and isolation.

Circuit	Description	
DMX512 Outputs	Type:	Floating
	Pin 1:	Connected to Internal Logic Ground
Internal Logic Ground	Isolated from PoE, DC power and Ethernet port.	

Product Overview

artLynx duo is a DIN-rail mounted Ethernet-to-DMX512 converter. It is capable of converting Art-Net into 2 Universes of DMX512 & RDM, or sACN into 2 Universes of DMX512. The product is powered via an external power supply unit or, alternatively, the Power over Ethernet (PoE) standard.

artLynx duo is configurable via its internal web-browser or by using DMX-Workshop (free-of-charge software available from Artistic Licence). DHCP is supported for automatic IP addressing.

artLynx duo offers high levels of electrical protection. All outputs are protected against mains electrocution (all international voltages including UK 3-phase) and are self-healing.

A handy factory reset switch enables the default settings to be restored - simply hold down and cycle the power. Alternatively, a single press of this button sends a 'squawk' message over the network to the console. This enables the gateway to be easily physically located.

Summary of Key Features

- RJ45 network connector, supports 10/100BaseT
- Art-Net, sACN, RDMnet LLRP compatible
- 2 DMX512 outputs, compatible with all variants of DMX, including DMX512-A.
- RDM (E1.20 - 2010) compatible
- Power, network and DMX activity indicators
- Factory reset and Squawk button
- PoE compatible (IEEE 802.3af - 2003)
- Configurable using internal web-browser or DMX-Workshop
- DHCP supported, default IP 2.x.y.z
- All outputs protected against continuous connection to 425 VAC (self-healing)

Power

artLynx duo can be powered from either an external PSU (12-48 VDC) or with PoE (Power-Over-Ethernet). PoE requires a suitable ethernet switch for the power source, such as Art-Switch PoE4.

Please note that the product should be powered via EITHER the DC power input or ethernet PoE, but not both (there is no option to failover from one power source to the other if both are connected).

Ethernet Connection

artLynx duo has an RJ45 ethernet connector and supports Art-Net 4 and sACN (ESTA E1.31). artLynx quad requires Cat 5 cable or better and supports 10BaseT and 100BaseT.

DMX Outputs

artLynx duo can output a maximum of two Universes of DMX512 data. There are 2 DMX/RDM output ports with 3-pin screw terminal connectors.

The DMX512-A standard specifies that Cat5 cable can be used to carry DMX data. The table below shows which cores should be used. It is recommended that Cat5E cable is used. RDM data uses the same connections as the DMX512 data.

All outputs are electrocution protected against continuous connection to 425 VAC (self-healing).

DMX512 Wiring

XLR Pin (convention)	Function	Colour	RJ45 Pin	Cable Colour
1	COM	Black	7 & 8	White/ Brown & Brown
2	DMX -	Blue	2	Orange
3	DMX +	Red	1	White/ Orange

Universe Addressing

The universe (Port Address) is used to uniquely identify the DMX data on the network.

Art-Net allows universe numbers in the range 0-32767.

sACN allows universe numbers in the range 1-65535.

For the avoidance of cross-protocol confusion, users are advised to number universes from 1.

Configuration

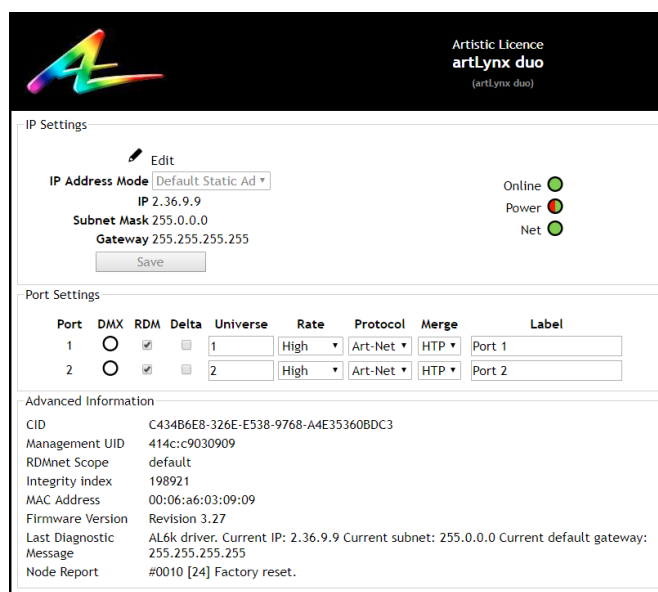
Configuration is achieved via the internal web server or via DMX-Workshop.

In order to restore the product to its factory default state, hold down the reset button (under the terminal guard) and cycle the power.

Web server

To configure artLynx duo via the internal web-server, either type in the IP address of the product or, if your web-browser supports NetBios, then enter the name: artLynxduo. To find the IP address, use DMX-Workshop.

Figure: artLynx duo internal web server



IP Settings

The IP settings for the product are displayed in the top section of the screen. The Edit control allows the static IP, subnet mask and gateway to be configured. DHCP operation can be selected via DMX-Workshop.

The indicator meanings are as follows:

- Online: Green = live connection between browser & product; Red = connection lost
- Power: Green = powered; Flashing green = Identify; Red = Fault
- Net: Yellow = Link; Green = Art-Net or sACN activity

Port Settings

The settings for each DMX port can be configured via the web-browser using the following columns:

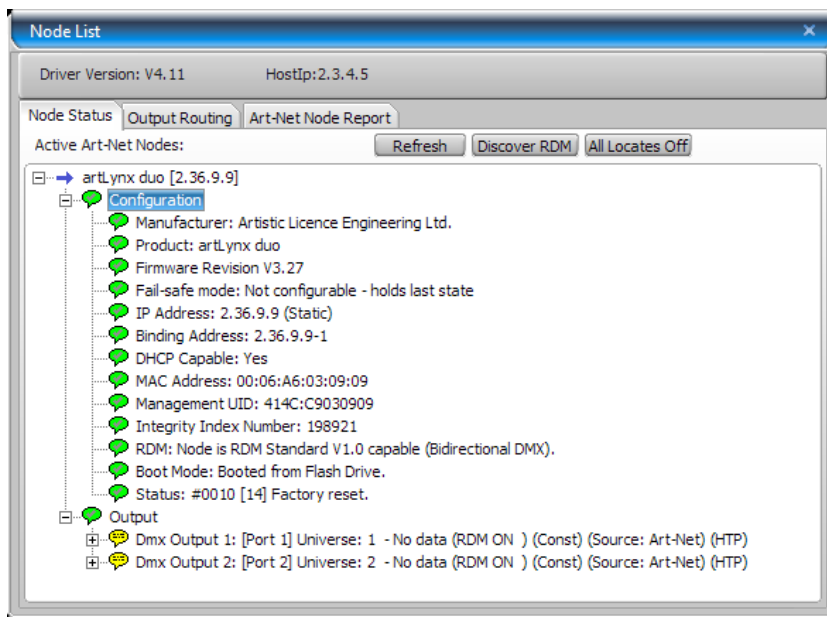
- Port: The DMX port number
- DMX: Green shows changing data
- RDM: Tick to enable RDM
- Delta: Tick to enable delta transmission (DMX frames are only sent when network data changes)
- Universe: Set the universe (port address) for this output
- Rate: Sets the DMX refresh rate:
 - High = 24 ms frame time
 - Medium = 32 ms frame time
 - Slow = 48 ms frame time
- Protocol: Select either Art-Net or sACN control over this output
- Merge: Select HTP or LTP merge when 2 controllers send data to this port (for more information, see 'Merging' section on page 7).
- Label: Editable field for port name

DMX-Workshop

DMX-Workshop™ is a network management, analysis, configuration and diagnostics tool for lighting networks. You can download the free software from the [product page](#).

When artLynx duo is connected to a computer running DMX-Workshop, it should be detected and displayed as an Art-Net node (click the 'Node List' tab to verify this). The node can be expanded to show the configuration and DMX output information, as shown below.

Figure: artLynx duo as viewed in DMX-Workshop



IP Address Configuration

Choosing the 'Configure IP Address' in the 'Advanced' menu brings up a window that shows the IP and Subnet Mask.

The IP uniquely identifies any nodes or controllers on a network, while the Subnet Mask defines which part of the IP represents the network address and which part represents the node address. For example, a Subnet Mask of 255.0.0.0 means that the first byte of the IP defines the network address and the remaining 3 bytes define the Node address.

By default, the product has a static IP address in the range 2.x.x.x. There are situations in which the user may wish to change this - for example, a 192.168.x.x address is generally used in office environments.

A useful additional feature is the ability to enable automatic IP address allocation on networks controlled by a DHCP server (check the 'Enable DHCP' box to activate).

Squawk

On a complicated network it is not always easy to relate what is showing on screen to the physical location of the nodes. A single press of the factory reset button on artLynx duo causes the product to send a message over the network to the console.

Right-clicking on any entry brings up a menu that offers various functionality:

- The 'Configure Node' option enables configuration of the universe number (port address), protocol (Art-Net or sACN), sACN priority, product name and port labels.
- 'Copy to clipboard' enables all the node information to be pasted into a support request email.
- 'Merge Controls' (selectable only on individual DMX outputs) enables the choice of LTP (latest takes preference) or HTP (highest takes preference) merge modes.
- 'Indicators' enables selection of normal, identify or mute for the LED indicators. Normal is the default behaviour, identify causes the power LED to flash, and mute turns off all the LEDs.
- 'RDM Devices' offers options for device discovery and configuration.
- 'Advanced' leads to 'Programme Upload' and 'Configure IP Address and DHCP' as described opposite.

Merging

artLynx duo is able to merge two streams of data to a DMX output. Depending on the settings, merge can operate as HTP/LTP or Priority.

In HTP (highest takes precedence), the levels of each channel in the two streams are compared and the highest value is used.

In LTP (latest takes precedence), the levels of each channel in the two streams is compared to the output; if there is a change, that level is output.

In Priority, the sACN Priority field defines which universe will be output.

Art-Net

If two streams from different IP addresses are directed to the same Port-Address, merging will occur. If more streams are directed to the same Port-Address, they will be ignored.

sACN

Merging can operate with both unicast and multicast data.

If two streams from different IP addresses are directed to the same universe, the priority field is checked and the stream with the highest priority is output. If the priority field in both streams is identical, merging will occur.

If additional stream(s) are directed to the same universe, any additional stream with higher priority will take precedence. If the priority is identical to the merging streams, it will be ignored.

Please refer to Application Note "[Gateway: Merging DMX, Art-Net and sACN](#)" for more information.

IGMP

sACN uses IGMP (Inter Gateway Management Protocol) to efficiently route data. Two versions of IGMP exist: IGMPv2 and IGMPv3.

IGMPv2 is the most widely supported by ethernet switch manufacturers. Artistic Licence products containing firmware version v3.39 and higher support IGMPv2. Earlier firmware supports IGMPv3. The firmware version can be looked up via the product's web browser interface or via DMX-Workshop.

LED indication

artLynx duo features various LED indicators, which give different informational signals depending on whether the product is booting up or in operational mode. The meanings are explained below.

During boot-up

- Power LED
 - Slow flashing green (1Hz) = booting normally
 - Slow alternating green/red (1Hz) = factory start (settings cleared)

During operation

- Power LED
 - Static green = powered, normal operation
 - Fast flashing green (5Hz) = identify**
 - Occulting green = remote programming command received
 - Static red = fault condition
 - Fast alternating green/red (5Hz) = product is not commissioned (return for service)
- Net & Link LED
 - Yellow = network link established (but no lighting data)
 - Green = Art-Net or sACN detected
- LEDs 1 & 2
 - Green = Data activity
- All indicators
 - Off = mute command received

Net & Link LED:

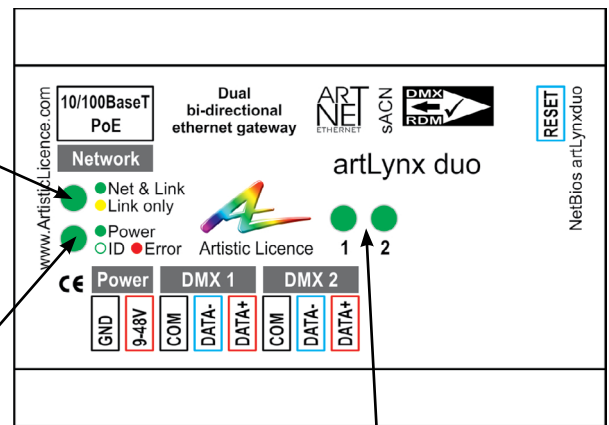
OFF = Not connected
Yellow = Connected but no lighting data
Green = Art-Net / sACN on network

Power LED:

OFF = Not connected
Green (solid) = Good power
Green (flashing) = Identify**
Red = Fault condition

****The Power LED will flash continuously when the Identify command is sent by DMX-Workshop. This enables artLynx duo to be easily distinguished on a network containing multiple nodes.**

This LED will also blip briefly in response to any programming command received via the network.



DMX LEDs:

OFF = No data is being sent to this port
Green = Lighting data is being output on this port

artLynx duo Specification

Mechanical <ul style="list-style-type: none">• Housing: DIN rail case• Material: Lexan plastic, UL94-V0 rated• Overall dimensions: 90 mm (H) x 88 mm (W) x 62 mm (D)• Weight: 0.15 kg• Mounting: 35 mm DIN Rail or Surface Mount• Country of manufacture: UK	Control Protocols <ul style="list-style-type: none">• Ethernet: Art-Net, sACN, RDMnet LLRP• Output: DMX512, DMX512 (1990), DMX512-A, RDM V1.0 (E1.20 - 2010)
Environmental <ul style="list-style-type: none">• Operating temperature: 0°C to 40°C• Storage temperature: -10°C to +50°C• Operating relative humidity (max): 80% non-condensing• IP rating: IP20 indoor use only• Certification: CE, UKCA, WEEE, RoHS• Warranty: 2-year (return to base)	Data Connections <ul style="list-style-type: none">• RJ45 ethernet (1 no.)• 3-pin screw terminal DMX outputs (2 no.)
Power & Electrical <ul style="list-style-type: none">• Input voltage: 12-48 VDC• Input connector: 2-pin screw terminal• DC Power: 2.5W quiescent• DC Power: 5W driving terminated DMX512 cable• PoE Power: Negotiates Class 2 (3.84W – 6.49W)• DC fuse: internal resettable fuse for control electronics	LED Indication <ul style="list-style-type: none">• Power / Network Activity / DMX Activity
Ethernet <ul style="list-style-type: none">• Type: 10BaseT and 100BaseT• Isolation: 1 kV• PoE: supported (IEEE 802.3af - 2003)	Configuration <ul style="list-style-type: none">• Internal web-browser or DMX Workshop• Manual factory reset / squawk button
DMX512 Outputs <ul style="list-style-type: none">• Output mode: floating• Output isolation: n/a• Output ESD protection: 15 kV• Electrocution protection: 425 VAC continuous connection (self-healing)	Ordering Info <ul style="list-style-type: none">• Product code: artLynx duo
	Accessories (not included) <ul style="list-style-type: none">• PSU-24-0.75-FER• Art-Switch PoE4 & PSU-48-1-DR (powers up to 4 x artLynx duo)

Warranty

All products are covered from date of purchase by a two-year return to base warranty.

By return to base, we mean that the customer is responsible for all costs of transport to and from Artistic Licence.

Returns will not be accepted without prior authorisation. In order to discuss a request to return goods, please email:

Sales@ArtisticLicence.com

The information contained in this document is subject to change without notice. Artistic Licence Engineering Ltd. makes no warranty of any kind with regard to this material, including, but not limited to, the implied warranties of fitness for a particular purpose.

Artistic Licence Engineering Ltd. shall not be liable for errors contained herein or for incidental or consequential damages in connection with the furnishing, performance or use of this material.

All trademarks are acknowledged.

© Artistic Licence Engineering Ltd.

Compliance

All Products manufactured or sold by Artistic Licence Engineering Ltd are fully compliant with the appropriate UKCA, CE and RoHS regulations. Product specific information is available on request.

Waste Electrical & Electronic Equipment (WEEE)

Artistic Licence is a member of a WEEE compliance scheme and will happily recycle any of our products that you, at your expense, return to us.

UK
CA

Compliance

CE

artLynx duo is CE & UKCA compliant



Artistic Licence

The Mould Making Workshop
Soby Mews
Bovey Tracey
TQ13 9JG
United Kingdom

Telephone +44 (0) 20 8863 4515

Email: Sales@ArtisticLicence.com

Web: www.ArtisticLicence.com

Support@ArtisticLicence.com

Due to our policy of continuing product improvement specifications are subject to change without notice

