

# PixLite<sup>®</sup> R4D-S

Long Range Receiver



DATASHEET

## KEY FEATURES

- Receive Data up to 300m from Transmitter
- Up to 12 Universes of Data-Only Pixels
- Power In and Fuse Good LED Indicators
- Electrical Fault Protection on all Ports
- Compact Form Factor

Made in Australia

5 Year Warranty

**ADVATEK**  
LIGHTING

# PixLite® R4D-S

## Long Range Receiver

### PRODUCT OVERVIEW

The PixLite R4D-S is a pixel LED controller that's built to last and has all the protection one needs for peace of mind with professional installations.

Paired with a PixLite T8 controller, the PixLite R4D-S receives differential (long distance) data and converts it into a pixel ready signal. Perfect for any professional installation, particularly when the LEDs will be separated by some distance.

### A CLOSER LOOK AT THE RECEIVER

#### 4 PIXEL OUTPUTS

4 individually fused outputs suitable for **data-only** pixel LEDs (see next page for details). Configuring the PixLite transmitter unit to **expanded mode** exclusively allows the use of data-only pixels

#### FAULT PROTECTION

Features electrical fault protection on all inputs and all pixel output lines, resulting in higher reliability and less equipment failures over time. Each output also includes a 7.5A mini blade fuse which will help protect the pixels and power supply in a fault condition, as well as keeping the installation safe. See details on next page.

#### SMALL FORM FACTOR

Compact, lightweight, slimline unit designed for mounting in tight spaces

#### QUICK CONNECT POWER

High current quick connect clamp connector for fast and reliable power connection

#### CONTENTS

PixLite R4D-S

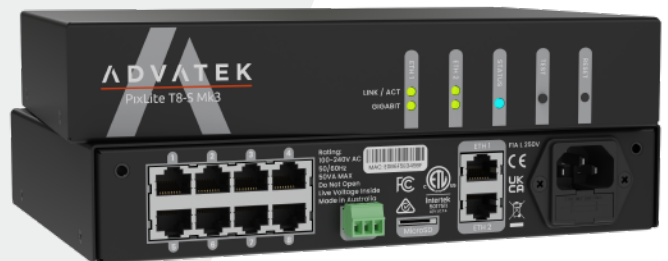
Installation Guide

#### CERTIFICATIONS



### COMPATIBLE TRANSMITTERS

PixLite T8-S Mk3

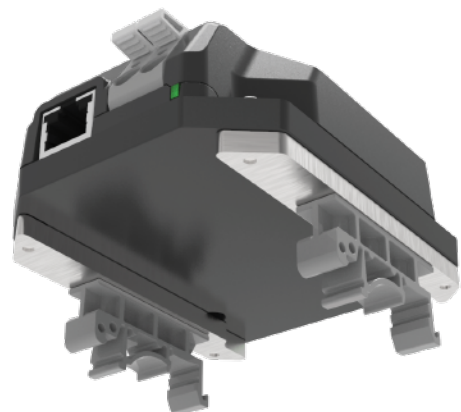


PixLite T8-S Mk2



### OPTIONAL ACCESSORIES

Din-Rail Mounting Bracket



# PixLite® R4D-S

## Long Range Receiver

### SPECIFICATIONS

#### PHYSICAL

Pixel Outputs	4 x Powered
Data Input (From PixLite Transmitter)	1 x RJ45
Dimensions (excluding connectors)	95 x 78 x 33mm
Weight	0.2kg
Enclosure	High Strength ABS - Black
Mounting	Wall & Din-Rail Mountable

#### FAULT PROTECTION

Electrostatic Discharge (ESD)	All ports protected
Data Input	+/- 24V DC fault protection
Pixel Output Clock/Data	+/- 24V DC fault protection
Pixel Output Power	Over Current and Short Circuit Protection

#### THERMAL

Storage Temperature	-20°C to +55°C
Ambient Operating Temperature	-20°C to +55°C

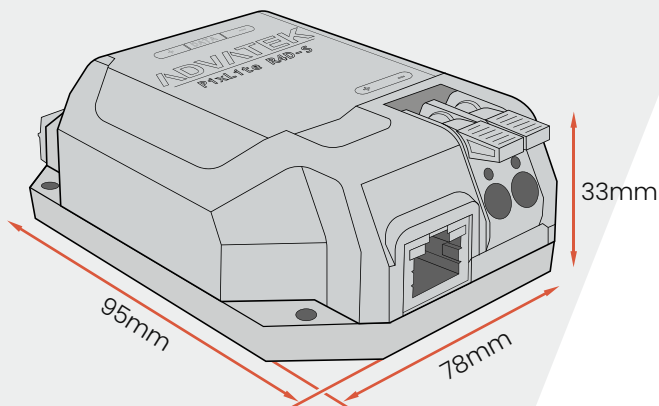
#### PIXEL DATA

#### EXPANDED MODE ENABLED

(Limits are set by the configuration of the transmitter)

Pixel Outputs	4
RGB Pixels per Output	510
RGBW Pixels per Output	384
Universes per Pixel Output	3
Total Pixel Universes	12

#### OVERALL DIMENSIONS



#### POWER

Input Power	5V - 24V DC
Per Output Current Limit	7.5A (Mini Blade Fuse)
Total Current Limit	30A

#### CERTIFICATIONS & MARKS

North America	ETL Listing (Equivalent to UL Listing)
Europe	CE
North America	FCC
Canada	ICES3
Australia & New Zealand	RCM
United Kingdom	UKCA

#### TESTING STANDARDS

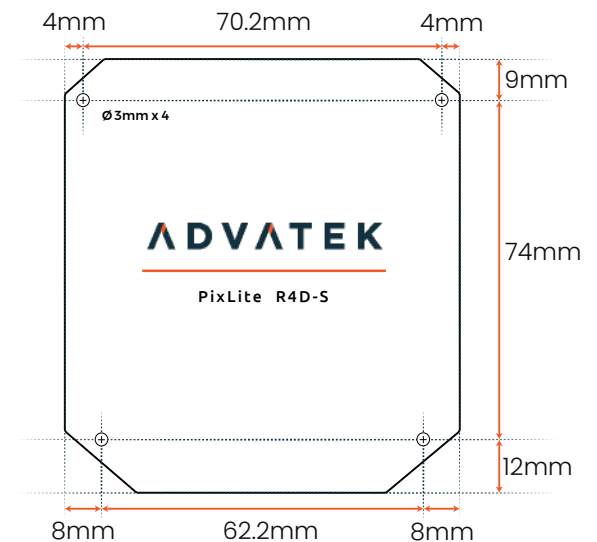
Audio/Video & ICTE - Safety Requirements	UL 62368-1
Radiated & Conducted Emissions	EN 55032 & FCC Part 15
Immunity for ITE	EN 55024
Restriction of Hazardous Substances	RoHS 3

#### INSTALLATION

Refer to installation instructions in the Product User Manual for acceptable use and storage requirements.

Standard	Indoors Only
With Conformal Coating	May be installed outdoors when installed inside a weatherproof enclosure

#### MOUNTING DIMENSIONS

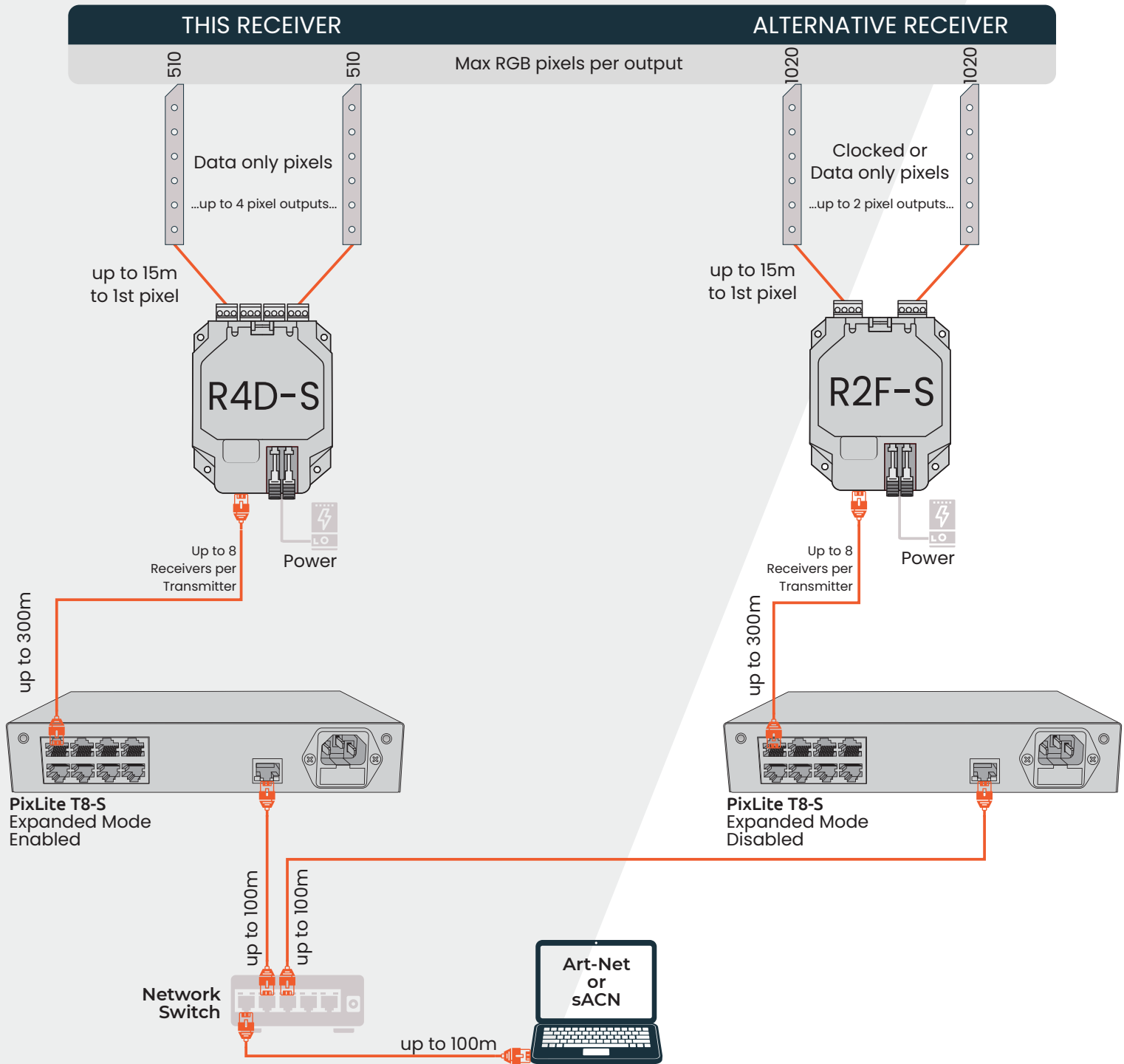




# PixLite® R4D-S

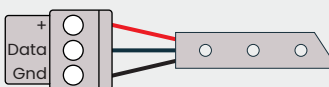
## Long Range Receiver

### TYPICAL WIRING DIAGRAM



### CONNECTIONS TO PIXELS

Pixels ..... Data Only  
Expanded Mode ..... Enabled



### ORDER CODES

PixLite R4D-S ..... PIXR4DS  
PixLite R4D-S with Conformal Coating ..... PIXR4DS-CC  
Din-Rail Mounting Bracket ..... MNT0101