



100V 115/120V 230/240V

Eos® Series
Cobalt™ Series


GENERAL INFORMATION

The ETCnomad Puck is a full-featured mini-computer with an embedded ETCnomad dongle capable of running Eos, Element™ and Cobalt applications. It provides lighting control with conventional and moving lights, media servers and LED luminaires. The ETCnomad Puck can be used with either Eos or Cobalt operating systems in primary, backup, client and offline environments. When connected as a client, ETCnomad accesses the full output capacity of the connected system.

Optional fader wings, programming wings, X-keys and compatibility with USB-MIDI panels allow extended and customisable control.

FEATURES

- 256 to 2,048 outputs
- ETCnomad Puck 256 makes an ideal tech-table RVI
- Operates in stand-alone, primary, backup and client environments
- When connected as a client, output capacity is determined by the system to which it is connected
- Net3™/ACN/sACN and ArtNet Ethernet lighting protocols
- DMX512-A/RDM via ETC Gadget™ and Net3 Gateways
- Two HDMI ports
- Three USB ports

See Cobalt, Eos and Element datasheets and operation manuals for ETCnomad features

ACCESSORIES

- Eos Programming Wing
- Cobalt Programming Wing
- Cobalt Motorised Fader Wing 10
- Cobalt Motorised fader Wing 20
- 2x10 Universal Fader Wing (PC only)
- 2x20 Universal Fader Wing (PC only)
- Congo jr™ Master Playback Wing (Cobalt only)
- RFR/aRFR/iRFR remote controls
- Alphanumeric keyboard
- USB 3-button mouse

ORDERING INFORMATION

ETCnomad Puck

PART NO.	DESCRIPTION
4380A1020	ETCnomad Puck 256 Controller Kit, 256 outputs (Also serves as Client or as a budget-RVI)
4380A1021	ETCnomad Puck 512 Kit, 512 outputs (Max. is 2,048 Outputs)
4380A0020	ETCnomad 256 to 512 Outputs Upgrade
4380A0030	ETCnomad Initial Upgrade +512 Outputs
4380A0000	ETCnomad After-sales Upgrade +512 Outputs

IMPORTANT ETCNOMAD ORDERING INFORMATION

To increase the capacity of a ETCnomad Puck system with fewer than 2048 outputs, order additional 512 output upgrades. ETCnomad Puck 256 can be upgraded to ETCnomad Puck 512 with a separate part number.

A single universe of output may be distributed using an ETC Gadget USB to DMX/RDM converter. Additional or all outputs may be distributed via Ethernet protocols directly (Net3™/ACN/sACN, or ArtNet) or by compatible Ethernet-distribution hardware, such as Net3 DMX/RDM Gateways. The Gadget and network equipment must be purchased separately from the ETCnomad Puck kit.

NOTE: The ETCnomad Puck controller does not support ETCNet2™/EDMX protocol.

ETCnomad Puck Accessories

PART NO.	DESCRIPTION
4240A1020-EU	Eos Programming Wing
4370A1045-EU	Cobalt Programming Wing
4370A1046-EU	Cobalt Motorised Fader Wing 10
4370A1047-EU	Cobalt Motorised Fader Wing 20
4310A1002	Universal Fader Wing 2x10, Black
4310A1003	Universal Fader Wing 2x20, Black
4310A1102	Universal Fader Wing 2x10, Blue
4310A1103	Universal Fader Wing 2x20, Blue
4320A1002	Congo jr Master Playback Wing (Cobalt only)
4250A1217	Net3 RVI Remote Video Interface
4250A1130	Net3 RVI3 Remote Video Interface
4250A1022	Net3 Radio Focus Remote (RFR) Kit 2.4GHz
4267A1001	ETC Gadget USB to DMX/RDM Converter

ETCnomad software is available for download from www.etconnect.com/ETCnomad



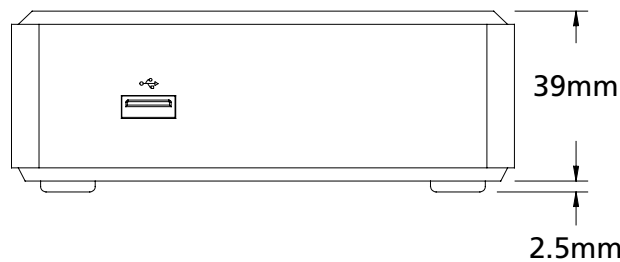
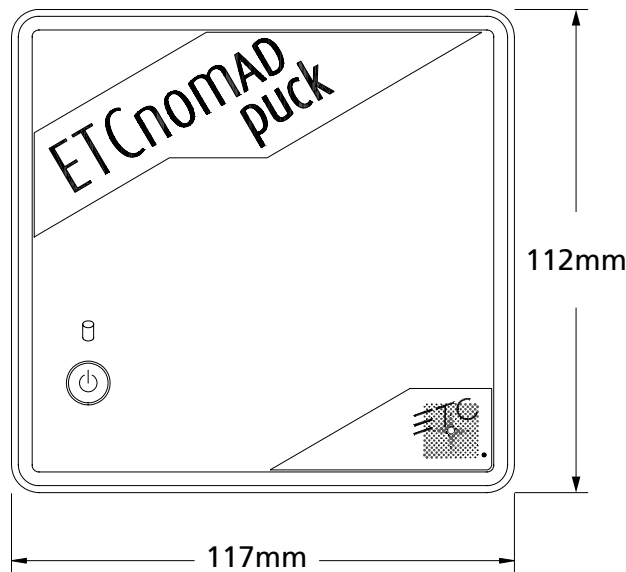
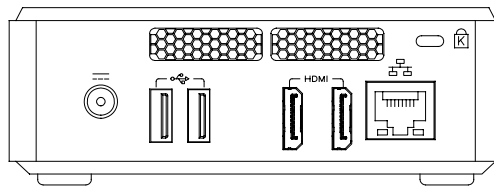
PHYSICAL

ETCnomad Puck Shipping Dimensions

MODEL	WIDTH	HEIGHT	DEPTH
	mm	mm	mm
Nomad Puck	394	77	299

ETCnomad Puck Shipping Weights

MODEL	WEIGHT	SHIPPING WEIGHT
	kgs	kgs
Nomad Puck	0.9	1.6



Corporate Headquarters • 3031 Pleasant View Rd, PO Box 620979, Middleton WI 53562 0979 USA • Tel +1 608 831 4116 • Fax +1 608 836 1736
 London, UK • Unit 26-28, Victoria Industrial Estate, Victoria Road, London W3 6UU, UK • Tel +44 (0)20 8896 1000 • Fax +44 (0)20 8896 2000
 Rome, IT • Via Pieve Torina, 48, 00156 Rome, Italy • Tel +39 (06) 32 111 683 • Fax +39 (06) 32 656 990
 Holzkirchen, DE • Ohmstrasse 3, 83607 Holzkirchen, Germany • Tel +49 (80 24) 47 00-0 • Fax +49 (80 24) 47 00-3 00
 Hong Kong • Room 1801, 18/F, Tower 1 Phase 1, Enterprise Square, 9 Sheung Yuet Road, Kowloon Bay, Kowloon, Hong Kong • Tel +852 2799 1220 • Fax +852 2799 9325
 Web • www.etcconnect.com • Copyright©2015 ETC. All Rights Reserved. All product information and specifications subject to change. 4380L1002-GB Rev. D 10/2015