

INTIMIDATOR

SPOT 475ZX

User Manual



Edition Notes

The Intimidator Spot 475ZX User Manual includes a description, safety precautions, installation, programming, operation, and maintenance instructions for the Intimidator Spot 475ZX as of the release date of this edition.

Trademarks

Chauvet, Chauvet DJ, the Chauvet logo, and Intimidator are registered trademarks or trademarks of Chauvet & Sons, LLC (d/b/a Chauvet and Chauvet Lighting) in the United States and other countries. Other company and product names and logos referred to herein may be trademarks of their respective companies.

Copyright Notice

The works of authorship contained in this manual, including, but not limited to, all designs, text, and images are owned by Chauvet.

© Copyright 2023 Chauvet & Sons, LLC. All rights reserved.

Electronically published by Chauvet in the United States of America.

Manual Use

Chauvet authorizes its customers to download and print this manual for professional information purposes only. Chauvet expressly prohibits the usage, copy, storage, distribution, modification, or printing of this manual or its content for any other purpose without written consent from Chauvet.

Document Printing

For best results, print this document in color, on letter size paper (8.5 x 11 in), double-sided. If using A4 paper (210 x 297 mm), configure the printer to scale the content accordingly.

Intended Audience

Any person installing, operating, and/or maintaining this product should completely read through the guide that shipped with the product, as well as this manual, before installing, operating, or maintaining this product.

Disclaimer

Chauvet believes that the information contained in this manual is accurate in all respects. However, Chauvet assumes no responsibility and specifically disclaims any and all liability to any party for any loss, damage, or disruption caused by any errors or omissions in this document, whether such errors or omissions result from negligence, accident, or any other cause. Chauvet reserves the right to revise the content of this document without any obligation to notify any person or company of such revision; however, Chauvet has no obligation to make, and does not commit to make, any such revisions.

Document Revision

Go to www.chauvetdj.com for the latest version.

Revision	Date	Description
1	11/2023	Initial release

TABLE OF CONTENTS

1. Before You Begin	1
What Is Included	1
Unpacking Instructions	1
Claims	1
Text Conventions	1
Symbols	1
Safety Notes.....	2
RF Exposure Warning for North America and Australia.....	2
2. Introduction	3
Product Overview.....	3
Product Dimensions	4
3. Setup	5
AC Power	5
Fuse Replacement	5
Power Linking.....	5
Mounting	6
Orientation.....	6
Rigging	6
Mounting Diagram.....	6
Gobos.....	7
Gobo - Rotating Gobo Wheel	7
Gobo 2 - Static Gobo Wheel	7
Rotating Gobo Dimensions	7
Gobo Replacement	8
Procedure	8
Gobo Replacement Diagrams	8
4. Operation	9
Control Panel Operation.....	9
Menu Map	9
DMX Configuration.....	11
Starting Address.....	11
DMX Personalities.....	11
DMX Values	12
Standalone Configuration.....	15
Automatic Programs.....	15
Sound-Active Mode.....	15
Manual Mode	15
Settings Configuration.....	16
Pan Reverse	16
Tilt Reverse	16
Screen Reverse	16
Pan Angle.....	16
Tilt Angle	16
Totem Mode	16
Sound Sensitivity.....	17
DMX Loss.....	17
Indicator	17

Flash if DMX.....	17
USB Update	17
RF	18
Reset.....	18
Factory Reset.....	18
System Information	18
Master/Slave Mode	19
Zero Adjust Mode.....	20
RFC Remote Control.....	21
RFC Remote Control Operation.....	21
5. Maintenance.....	22
Product Maintenance	22
Gobo Maintenance.....	22
6. Technical Specifications.....	23
Contact Us.....	24
Warranty & Returns.....	24

1. Before You Begin

What Is Included

- Intimidator Spot 475ZX
- Power cable
- Hanging bracket with mounting hardware
- Quick Reference Guide

Unpacking Instructions

Carefully unpack the product immediately and check the container to make sure all the parts are in the package and are in good condition.

Claims





If the box or the contents (the product and included accessories) appear damaged from shipping, or show signs of mishandling, notify the carrier immediately, not Chauvet. Failure to report damage to the carrier immediately may invalidate a claim. In addition, keep the box and contents for inspection.

For other issues, such as missing components or parts, damage not related to shipping, or concealed damage, file a claim with Chauvet within 7 days of delivery.

Text Conventions

Convention	Meaning
1–512	A range of values
50/60	A set of values of which only one can be chosen
Settings	A menu option not to be modified
<ENTER>	A key to be pressed on the product’s control panel
ON	A value to be entered or selected

Symbols

Symbol	Meaning
	Electrical warning. Not following these instructions may cause electrical damage to the product, accessories, or the user.
	Critical installation, configuration, or operation information. Not following these instructions may make the product not work, cause damage to the product, or cause harm to the operator.
	Important installation or configuration information. The product may not function correctly if this information is not used.
	Useful information.

Safety Notes

These Safety Notes include important information about installation, use, and maintenance of the Intimidator Spot 475ZX.

- **ALWAYS:**
 - ◆ Connect to a grounded circuit.
 - ◆ Connect to operating voltages as specified on the product's spec sticker.
 - ◆ Disconnect from power before replacing the fuse.
 - ◆ Disconnect from its power source during periods of inactivity.
 - ◆ Use a safety cable when suspending overhead.
 - ◆ Heed all restrictions and warnings on the spec sticker.
 - ◆ Mount in a location with at least 20 in (50 cm) of ventilation.
 - ◆ Replace the fuse with the same type and rating.
 - ◆ Use a clamp with a captive bolt when a single hanging bracket is used.
- In the event of a serious operating problem, stop using immediately.
- **DO NOT:**
 - ◆ Open this product or attempt any repairs. It contains no user-serviceable parts.
 - ◆ Look at the light source when the product is on.
 - ◆ Use if the power cable is crimped or damaged.
 - ◆ Disconnect by pulling on the power cable.
 - ◆ Allow flammable materials close to the product when it is operating.
 - ◆ Touch the housing when it is on.
 - ◆ Block any ventilation holes/slots in the housing.
 - ◆ Connect to a dimmer or rheostat.
 - ◆ Carry the product by its power cable.
 - ◆ Operate in temperatures higher than 104°F (40°C).
 - ◆ Expose to environments that exceed the Ingress Protection (IP) rating.
 - ◆ Expose to rain or moisture.
 - ◆ Use outdoors.
 - ◆ Submerge.
 - ◆ Leave outdoors for extended periods of time.
 - ◆ Expose to corrosive environmental conditions such as temperature, humidity, salinity, pressure, radiation, or shock.
 - ◆ Set this product on a flammable surface.



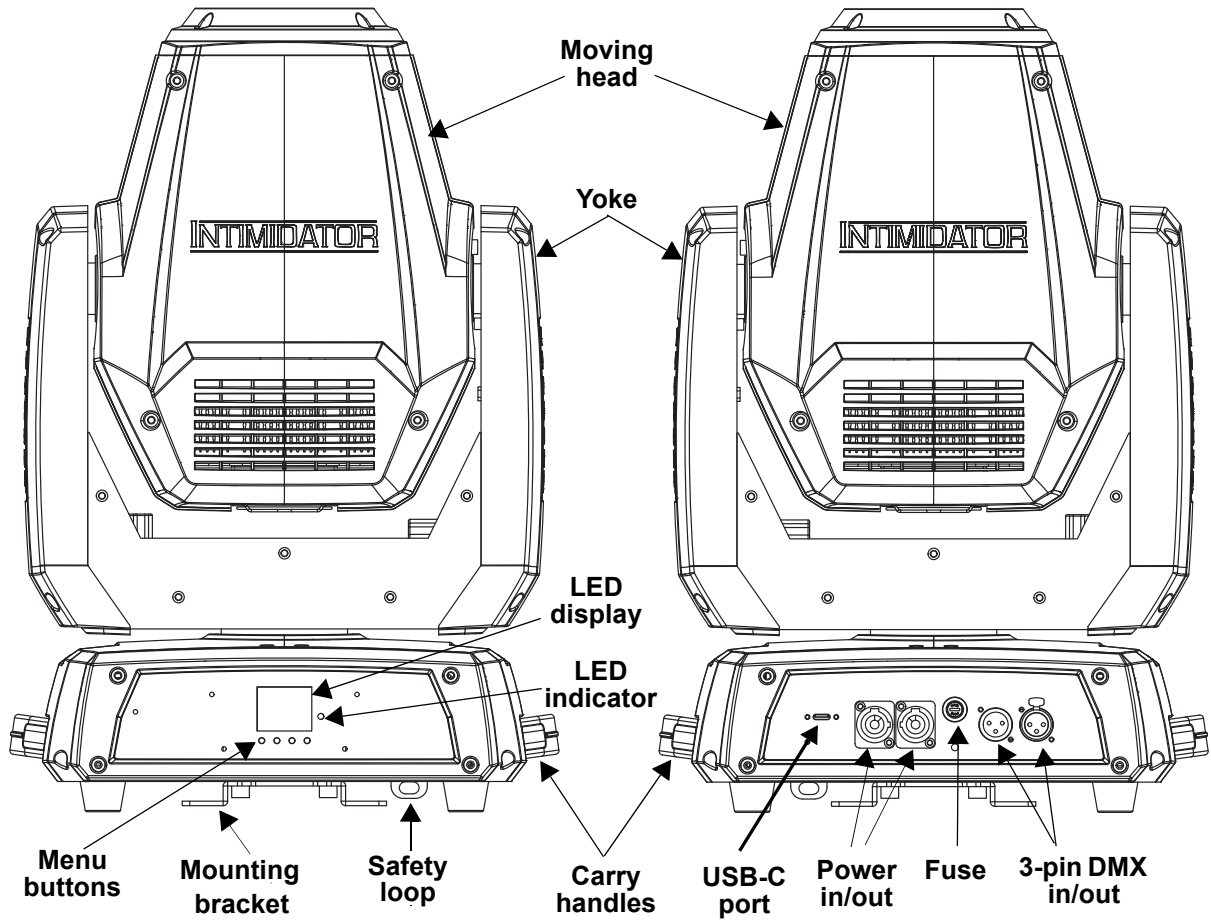
Keep this User Manual for future use. If the product is sold to someone else, be sure that they also receive this document.

RF Exposure Warning for North America and Australia

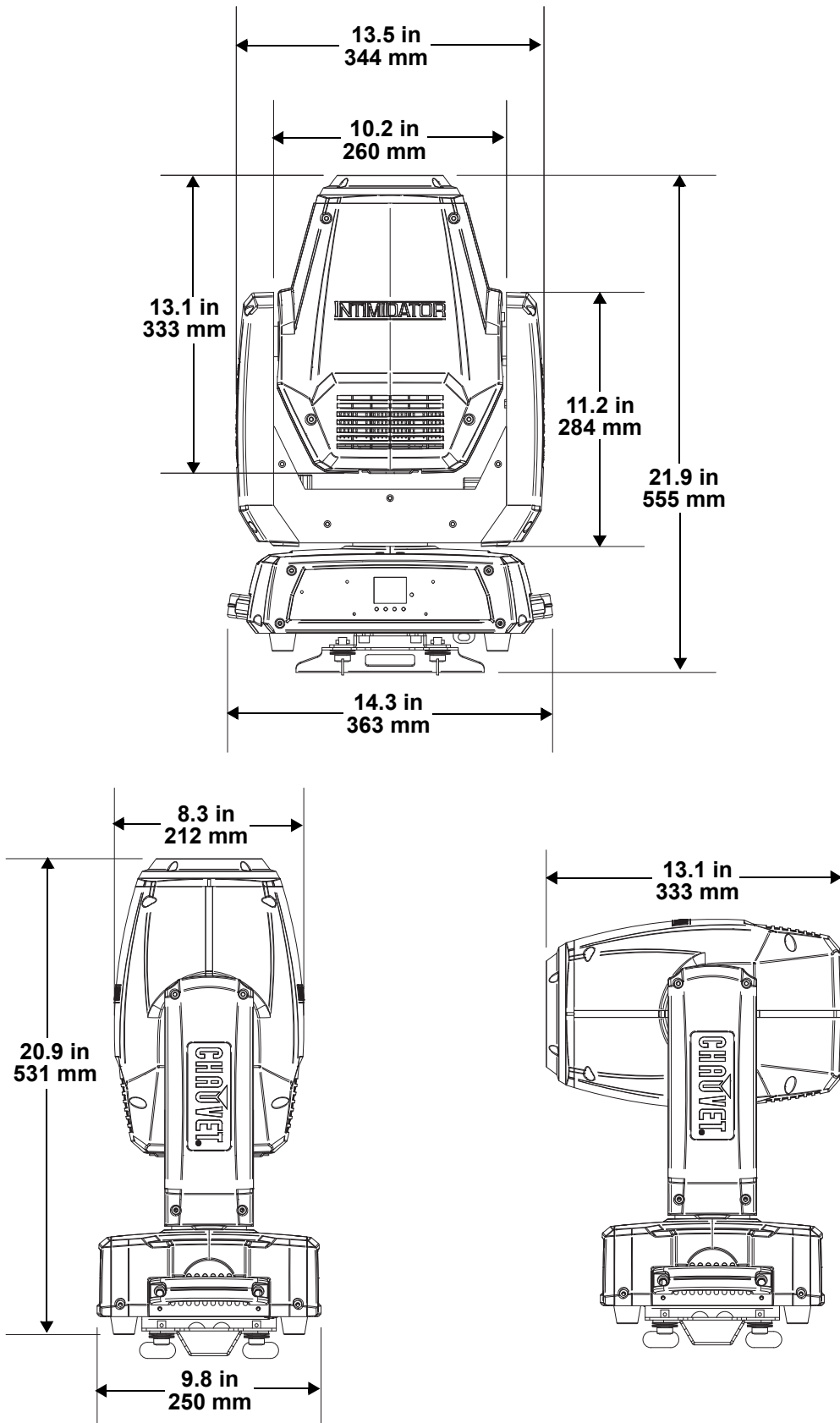
Warning! This equipment complies with FCC radiation exposure limits set forth for an uncontrolled environment. This equipment should be installed and operated with a minimum distance of 20 cm between the radiator and the user. This transmitter must not be co-located or operating in conjunction with any other antenna or transmitter.

2. Introduction

Product Overview



Product Dimensions



3. Setup

AC Power

The Intimidator Spot 475ZX has an auto-ranging power supply, and it can work with an input voltage range of 100 to 240 VAC, 50/60 Hz.

To determine the product's power requirements (circuit breaker, power outlet, and wiring), use the current value listed on the label affixed to the product's back panel, or refer to the product's specifications chart. The listed current rating indicates the product's average current draw under normal conditions.



- **Always connect the product to a protected circuit (a circuit breaker or fuse). Make sure the product has an appropriate electrical ground to avoid the risk of electrocution or fire.**
- **To eliminate unnecessary wear and improve its lifespan, during periods of non-use completely disconnect the product from power via breaker or by unplugging it.**



Never connect the product to a rheostat (variable resistor) or dimmer circuit, even if the rheostat or dimmer channel serves only as a 0 to 100% switch.

Fuse Replacement

1. Disconnect the product from power.
2. Using a Phillips-head screwdriver, unscrew the fuse holder and pull it straight out.
3. Remove the blown fuse from the holder and replace with a fuse of the exact same type and rating.
4. Re-insert the fuse holder and reconnect power.



Disconnect the product from the power outlet before replacing the fuse.

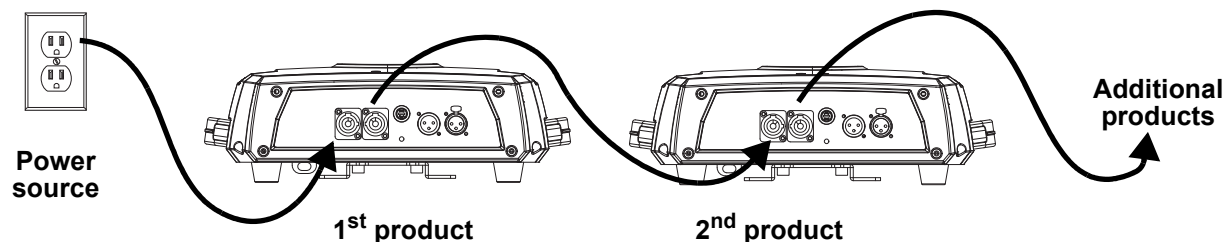


Always replace a blown fuse with one of the same type and rating.

Power Linking

This product provides power linking via the outlet located in the back of the product. See the diagram below for further explanation.

Power Linking Diagram



It is possible to link up to 3 Intimidator Spot 475ZX products on 120 VAC or up to 7 products on 230 VAC.



The power-linking diagram shown above corresponds to the North American version of the product ONLY! If using the product in other markets, consult with the local Chauvet distributor, as power linking connectors and requirements may differ by country or region.

Mounting

Before mounting the product, read and follow the safety recommendations indicated in the [Safety Notes](#).

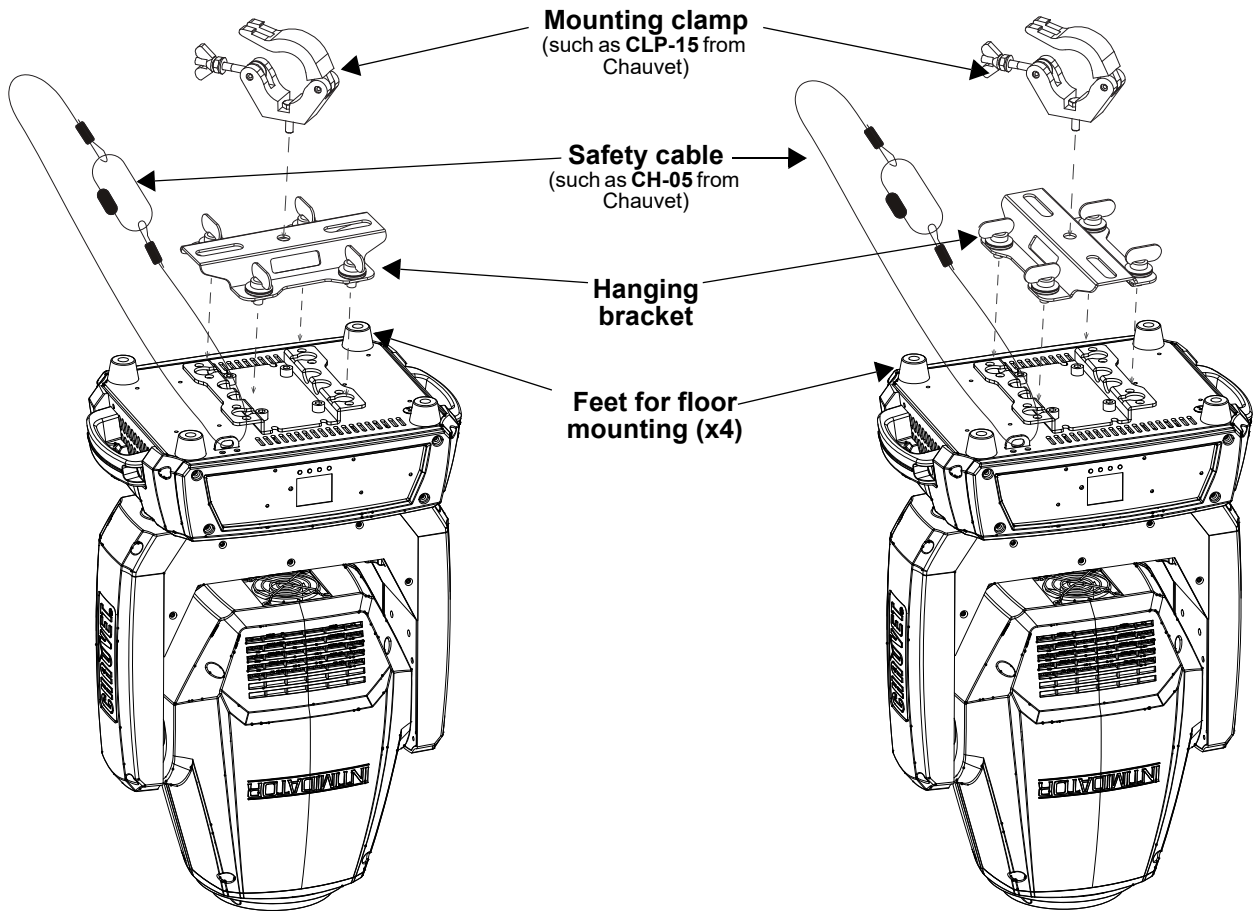
Orientation

The Intimidator Spot 475ZX may be mounted in any position; however, make sure adequate ventilation is provided around the product.

Rigging

- Before deciding on a location for the product, always make sure there is easy access to the product for maintenance and programming.
- Make sure that the structure and attachment points can support the weight before hanging the product (see the [Technical Specifications](#))
- When mounting the product overhead, always use a safety cable. Mount the product securely to a rigging point, such as an elevated platform or a truss.
- When rigging the product onto a truss, use a mounting clamp of appropriate weight capacity.
- When power linking multiple products, mount the products close enough for power linking cables to reach.
- When mounting the product on the floor, make sure that the product and cables are away from people and vehicles.

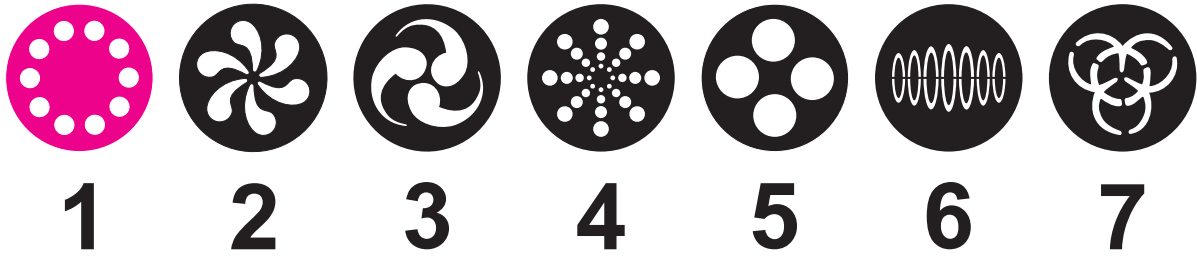
Mounting Diagram



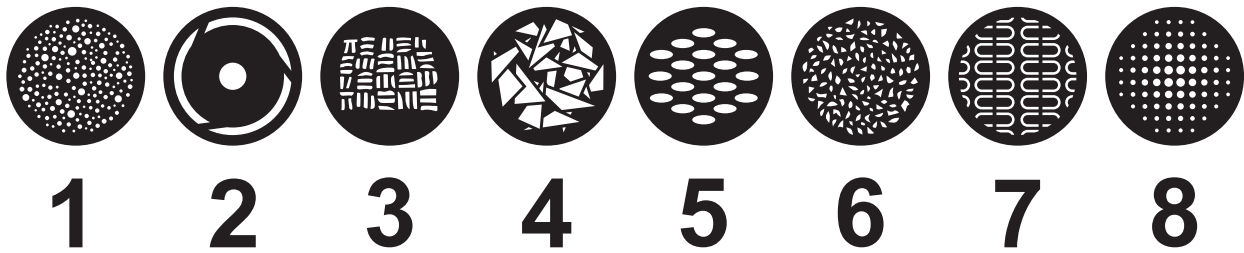
To prevent accidental loosening when using a single mounting clamp, be sure to use a clamp with a captive bolt.

Gobos

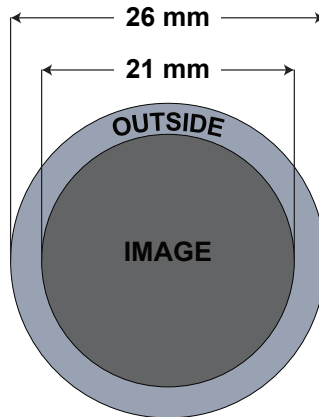
Gobo - Rotating Gobo Wheel



Gobo 2 - Static Gobo Wheel



Rotating Gobo Dimensions



Gobo Replacement

The gobos in the Intimidator Spot 475ZX are removable from their gobo holders.



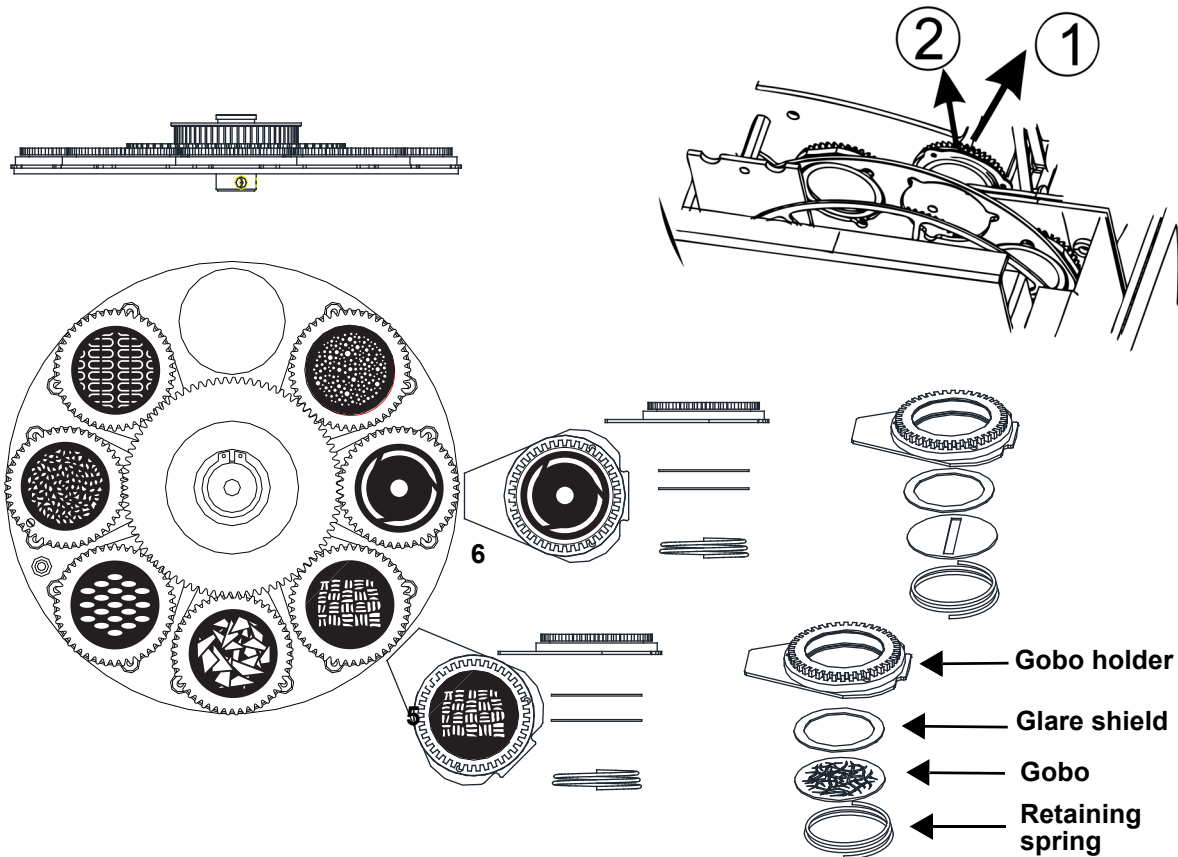
- **Make sure to disconnect the product's power cable before replacing a gobo.**
- **Always replace a gobo with a gobo of the same dimensions.**
- **When inserting a glass gobo, always make sure that the shiny side of the gobo (glass base) faces the lamp. This provides a layer of protection against the high temperature from the lamp.**
- **All custom gobos in the Intimidator Spot 475ZX gobo wheel 1 must be aluminum or glass.**

Procedure

Follow the recommended procedure below to remove or replace the gobos:

1. Turn the product off and disconnect it from the power outlet.
2. Open the head cover by loosening the 4 Phillips-head ¼-turn screws on the sides of the top cover.
3. Separate the gobo holder away from the gobo wheel by pushing it toward the front of the moving head (see direction 1 in the diagram). Be careful not to push the gobo out of the gobo holder.
4. Extract the gobo holder by pulling it outward (see direction 2 in the diagram).
5. On a flat surface, remove the expansion ring that holds the gobo in place and remove the gobo from the gobo holder.
6. Insert a new gobo and hold it in place with the expansion ring.
7. Slide the tip of the gobo holder under the pressure plate near the center of the gobo wheel.
8. Push the gobo holder inwards. **DO NOT** force the gobo holder into the gobo wheel slot. If correctly installed, the gobo plate should easily slide itself into the gobo wheel slot.

Gobo Replacement Diagrams



- **Gobo illustrations are for reference purposes only. Gobo designs may differ from those installed in the product.**
- **Gobo holders 5 and 6 in gobo wheel 1 are slightly smaller to accommodate glass gobos.**
- **The gobos on gobo wheel 2 are not removable.**
- **See [Gobo Maintenance](#) for instructions on how to clean the gobos and gobo holder.**

4. Operation

Control Panel Operation

To access the control panel functions, use the four buttons located underneath the display. Please refer to the [Product Overview](#) to see the button locations on the control panel.

Button	Function
<MENU>	Press to find an operation mode or to back out of the current menu option
<UP>	Press to scroll up the list of options or to find a higher value
<DOWN>	Press to scroll down the list of options or to find a lower value
<ENTER>	Press to activate a menu option or a selected value

Menu Map

Refer to the Intimidator Spot 475ZX product page on www.chauvetdj.com for the latest menu map.

Main Level	Programming Levels		Description		
Address	001–512		Sets the DMX starting address		
	DMX	16CH	Selects the DMX mode		
		10CH			
	Slave	Slave1–4	Selects Slave mode 1, 2, 3, or 4		
	Auto		Selects Auto mode		
	Sound		Selects Sound-Active mode		
	RFP		Sets the product to work with public RF signal		
	RF 1–4		Sets the product to work with the RFC-XL remote in group 1, 2, 3, or 4 (RF remote must be bound to the product first)		
Run Mode		Crossfade (sec)	0000–1200	Sets the speed of playback in seconds	
		Hold time (sec)	0001–1200	Sets the time between playback in seconds	
		Clear	NO	Resets all step 1 manual values to 0	
			YES		
		Delete	NO	Removes step 1 from playback	
			YES		
	Manual	Step 1	Pan	000–255	Manual pan control
			Tilt		Manual tilt control
			Color		Manual color control
			Gobo		Manual rotating gobo control
			Gobo Rotate		Manual gobo rotation control
			Gobo2		Manual static gobo control
			Prism		Manual prism control
			Focus		Manual focus control
			Zoom		Manual zoom control
Dimmer			Manual dimmer control		
Shutter	Manual shutter control				

Main Level	Programming Levels		Description		
Run Mode	Manual	Step 2	Clear	NO	Resets all step 2 manual values to 0
				YES	
			Delete	NO	Removes step 2 from playback
				YES	
			Pan	000–255	Manual pan control
			Tilt		Manual tilt control
			Color		Manual color control
			Gobo		Manual rotating gobo control
			Gobo Rotate		Manual gobo rotation control
			Prism		Manual prism control
			Focus		Manual focus control
			Zoom		Manual zoom control
			Dimmer		Manual dimmer control
Shutter	Manual shutter control				
Setup	Pan Reverse	OFF	Normal pan operation		
		ON	Reverse pan operation		
	Tilt Reverse	OFF	Normal tilt operation		
		ON	Reverse tilt operation		
	Screen Reverse	OFF	Normal display		
		ON	Reverse display		
	Pan Angle	540	Selects the 540° pan angle range		
		360	Selects the 360° pan angle range		
		180	Selects the 180° pan angle range		
	Tilt Angle	270	Selects the 270° tilt angle range		
		180	Selects the 180° tilt angle range		
		90	Selects the 90° tilt angle range		
	Totem Mode	OFF	Does not restrict the pan and tilt motion		
UP		Restricts the pan and tilt motion for overhead mounting			
DOWN		Restricts the pan and tilt motion for surface/floor mounting			
Setup	Sensitivity	001–100	Sets the sound sensitivity		
	DMX Loss	Hold	Holds the last setting when signal is lost		
		Black	Blacks out the product		
		Auto	Sets the unit to Auto mode when signal is lost		
	Indicator	Sound	Sets the unit to Sound mode when signal is lost		
		ON	Enables/disables LED indicator		
	OFF				
	Flash if DMX	ON	Sets whether the LED indicator flashes when the fixture is connected to or disconnected from the DMX signal		
		OFF			
	USB Update	Yes	Enables/disables software update through USB-C		
No					
RF	Bind	Shows instructions on how to bind the RF remote to the product			
Reset			Resets the product		
Factory Set			Loads factory defaults		
Sys Info	Ver:	V_	Displays the firmware version		
	Running Mode	-----	Displays the current running mode		
	DMX Address	---	Displays the current DMX address		
	Temperature	---	Displays the current product temperature		

DMX Configuration

The Intimidator Spot 475ZX works with a DMX controller. Information about DMX is in the Chauvet DMX Primer available from the Chauvet website: chauvetlighting.com/downloads/DMX_Primer_rev05_WO.pdf.

Starting Address

The Intimidator Spot 475ZX uses up to 16 DMX channels, which defines the highest recommended address to **497**.

When selecting a starting DMX address, always consider the number of DMX channels the DMX mode uses. If the starting address is set too high, access to some channels could be restricted.

For information about the DMX protocol, download the DMX Primer from www.chauvetdj.com.

To select the starting address, do the following:

1. Press **<MENU>**.
2. Use **<UP>** or **<DOWN>** to select **Address**.
3. Press **<ENTER>**.
4. Use **<UP>** or **<DOWN>** to select the starting address, from **001–512**.
5. Press **<ENTER>**.

DMX Personalities

The Intimidator Spot 475ZX has 2 DMX personalities, a 10-channel personality and a 16-channel personality. To select which DMX personality to use, follow the steps below:

1. Press **<MENU>**.
2. Use **<UP>** or **<DOWN>** to select **Run Mode**.
3. Press **<ENTER>**.
4. Use **<UP>** or **<DOWN>** to select **DMX**.
5. Press **<ENTER>**.
6. Use **<UP>** or **<DOWN>** to select the DMX personality, from **10CH** or **16CH**.
7. Press **<ENTER>**.

DMX Values

10CH	16CH	Function	Value	Percent/Setting
1	1	Pan	000 ↔ 255	0–540°
–	2	Fine pan	000 ↔ 255	Fine control of panning
2	3	Tilt	000 ↔ 255	0–270°
–	4	Fine tilt	000 ↔ 255	Fine control of tilting
–	5	Pan/Tilt speed	000 ↔ 255	Pan/Tilt speed, fast to slow
3	6	Color wheel	000 ↔ 007	White
			008 ↔ 015	Red
			016 ↔ 023	Yellow
			024 ↔ 031	Green
			032 ↔ 039	Blue
			040 ↔ 047	CTO
			048 ↔ 055	Cyan
			056 ↔ 063	Magenta
			064 ↔ 068	White
			069 ↔ 189	Color indexing
			190 ↔ 221	Color cycling rainbow, fast to slow
			222 ↔ 223	Stop
			224 ↔ 255	Reverse color cycling rainbow, slow to fast
4	7	Rotating gobo wheel (Gobo) (see Gobos)	000 ↔ 007	Open
			008 ↔ 015	Gobo 1
			016 ↔ 023	Gobo 2
			024 ↔ 031	Gobo 3
			032 ↔ 039	Gobo 4
			040 ↔ 047	Gobo 5
			048 ↔ 055	Gobo 6
			056 ↔ 063	Gobo 7
			064 ↔ 071	Gobo 7 shake, slow to fast
			072 ↔ 079	Gobo 6 shake, slow to fast
			080 ↔ 087	Gobo 5 shake, slow to fast
			088 ↔ 095	Gobo 4 shake, slow to fast
			096 ↔ 103	Gobo 3 shake, slow to fast
			104 ↔ 111	Gobo 2 shake, slow to fast
			112 ↔ 119	Gobo 1 shake, slow to fast
			120 ↔ 127	Open
			128 ↔ 191	Cycle effect, slow to fast
192 ↔ 255	Reverse cycle effect, slow to fast			
5	8	Gobo rotation	000 ↔ 063	Gobo indexing
			064 ↔ 147	Gobo rotation, slow to fast
			148 ↔ 231	Reverse gobo rotation, slow to fast
			232 ↔ 255	Gobo bounce, short to long

10CH	16CH	Function	Value	Percent/Setting
6	9	Static gobo wheel (Gobo2) (see Gobos)	000 ⇔ 006	Open
			007 ⇔ 013	Gobo 1
			014 ⇔ 020	Gobo 2
			021 ⇔ 027	Gobo 3
			028 ⇔ 034	Gobo 4
			035 ⇔ 041	Gobo 5
			042 ⇔ 048	Gobo 6
			049 ⇔ 055	Gobo 7
			056 ⇔ 063	Gobo 8
			064 ⇔ 071	Gobo 8 shake, slow to fast
			072 ⇔ 078	Gobo 7 shake, slow to fast
			079 ⇔ 085	Gobo 6 shake, slow to fast
			086 ⇔ 092	Gobo 5 shake, slow to fast
			093 ⇔ 099	Gobo 4 shake, slow to fast
			100 ⇔ 106	Gobo 3 shake, slow to fast
			107 ⇔ 113	Gobo 2 shake, slow to fast
			114 ⇔ 120	Gobo 1 shake, slow to fast
121 ⇔ 127	Open			
128 ⇔ 191	Reverse cycle effect, slow to fast			
192 ⇔ 255	Cycle effect, slow to fast			
7	10	Prism	000 ⇔ 003	No function
			004 ⇔ 006	Prism 1 (round)
			007 ⇔ 065	Rotation, slow to fast
			066 ⇔ 123	Reverse rotation, slow to fast
			124 ⇔ 127	Prism 1 (round)
			128 ⇔ 131	No function
			132 ⇔ 134	Prism 2 (linear)
			135 ⇔ 193	Rotation, slow to fast
194 ⇔ 251	Reverse rotation, slow to fast			
252 ⇔ 255	Prism 2 (linear)			
8	11	Focus	000 ⇔ 255	0–100%
9	12	Zoom	000 ⇔ 255	Wide to narrow
–	13	Dimmer	000 ⇔ 255	0–100%
10	14	Shutter	000 ⇔ 003	Off
			004 ⇔ 007	On
			008 ⇔ 076	Strobe, slow to fast
			077 ⇔ 145	Pulse strobe, slow to fast
			146 ⇔ 215	Random strobe, slow to fast
			216 ⇔ 255	On

10CH	16CH	Function	Value	Percent/Setting
-	15	Control	000 ⇔ 007	No function
			008 ⇔ 015	Blackout on pan/tilt move
			016 ⇔ 023	Blackout on color wheel move
			024 ⇔ 031	Blackout on gobo wheels move
			032 ⇔ 039	Blackout on pan/tilt/color wheel move
			040 ⇔ 047	Blackout on pan/tilt/gobo wheels move
			048 ⇔ 055	Blackout on pan/tilt/color wheel/gobo wheels move
			056 ⇔ 095	No function
			096 ⇔ 103	Pan reset
			104 ⇔ 111	Tilt reset
			112 ⇔ 119	Color wheel reset
			120 ⇔ 127	Gobo wheels reset
			128 ⇔ 135	No function
			136 ⇔ 143	Prism reset
144 ⇔ 151	No function			
152 ⇔ 159	All reset			
160 ⇔ 255	No function			
-	16	Movement Macros	000 ⇔ 007	No function
			008 ⇔ 023	Movement macro 1
			024 ⇔ 039	Movement macro 2
			040 ⇔ 055	Movement macro 3
			056 ⇔ 071	Movement macro 4
			072 ⇔ 087	Movement macro 5
			088 ⇔ 103	Movement macro 6
			104 ⇔ 119	Movement macro 7
			120 ⇔ 135	Movement macro 8
			136 ⇔ 151	Sound-active movement macro 1
			152 ⇔ 167	Sound-active movement macro 2
			168 ⇔ 183	Sound-active movement macro 3
			184 ⇔ 199	Sound-active movement macro 4
			200 ⇔ 215	Sound-active movement macro 5
			216 ⇔ 231	Sound-active movement macro 6
			232 ⇔ 247	Sound-active movement macro 7
248 ⇔ 255	Sound-active movement macro 8			

Standalone Configuration

Set the product in one of the standalone modes to operate without a DMX controller.



Never connect a product that is operating in any standalone mode to a DMX string connected to a DMX controller. Products in standalone mode may transmit DMX signals that could interfere with the DMX signals from the controller.

Automatic Programs

To run the Intimidator Spot 475ZX in automatic mode, follow the instructions below:

1. Press **<MENU>**.
2. Use **<UP>** or **<DOWN>** to select **Run Mode**.
3. Press **<ENTER>**.
4. Use **<UP>** or **<DOWN>** to select **Auto**.
5. Press **<ENTER>**.

Sound-Active Mode

To run the Intimidator Spot 475ZX in sound-active mode, do the following:

1. Press **<MENU>**.
2. Use **<UP>** or **<DOWN>** to select **Run Mode**.
3. Press **<ENTER>**.
4. Use **<UP>** or **<DOWN>** to select **Sound**.
5. Press **<ENTER>**.

Manual Mode

To run the Intimidator Spot 475ZX on Manual mode, follow the instructions below:

1. Press **<MENU>**.
2. Use **<UP>** or **<DOWN>** to select **Run Mode**.
3. Press **<ENTER>**.
4. Use **<UP>** or **<DOWN>** to select **Manual**.
5. Press **<ENTER>**.
6. Use **<UP>** or **<DOWN>** to select **Crossfade (sec)** (sets the speed of scene playback in seconds), **Hold time (sec)** (sets the time between scene playback in seconds), **Step 1** (first step that will play back), or **Step 2** (second step that will playback).

To program **Step 1** or **Step 2**:

1. Use **<UP>** or **<DOWN>** to select **Step 1** or **Step 2**.
2. Press **<ENTER>**.
3. Use **<UP>** or **<DOWN>** to select from **Pan, Tilt, Color, Gobo, Gobo Rotate, Gobo2, Prism, Focus, Zoom, Dimmer, or Shutter**.
4. Press **<ENTER>**.
5. Use **<UP>** or **<DOWN>** to increase or decrease the value of the selected function, from **000–255**.
6. Press **<ENTER>**.
7. Repeat steps 3–6 until the product is set as desired.

To clear or delete **Step 1** or **Step 2**:

1. Use **<UP>** or **<DOWN>** to select from **Clear** or **Delete**.
2. Press **<ENTER>**.
3. Use **<UP>** or **<DOWN>** to select from **Yes** or **No**.
4. Press **<ENTER>**.



- **Selecting Clear will reset all manual options to 000.**
- **Selecting Delete will reset all manual options to 000 and prevent the step from playback.**

Settings Configuration

Pan Reverse

To set the pan orientation on the Intimidator Spot 475ZX, follow the instructions below:

1. Press **<MENU>**.
2. Use **<UP>** or **<DOWN>** to select **Setup**.
3. Press **<ENTER>**.
4. Use **<UP>** or **<DOWN>** to select **Pan Reverse**.
5. Press **<ENTER>**.
6. Use **<UP>** or **<DOWN>** to select **OFF** (normal pan orientation) or **ON** (reverse pan orientation).
7. Press **<ENTER>**.

Tilt Reverse

To set the tilt orientation on the Intimidator Spot 475ZX, do the following:

1. Press **<MENU>**.
2. Use **<UP>** or **<DOWN>** to select **Setup**.
3. Press **<ENTER>**.
4. Use **<UP>** or **<DOWN>** to select **Tilt Reverse**.
5. Press **<ENTER>**.
6. Use **<UP>** or **<DOWN>** to select **OFF** (normal tilt orientation) or **ON** (reverse tilt orientation).
7. Press **<ENTER>**.

Screen Reverse

To set the display orientation on the Intimidator Spot 475ZX, follow the instructions below:

1. Press **<MENU>**.
2. Use **<UP>** or **<DOWN>** to select **Setup**.
3. Press **<ENTER>**.
4. Use **<UP>** or **<DOWN>** to select **Screen Reverse**.
5. Press **<ENTER>**.
6. Use **<UP>** or **<DOWN>** to select **OFF** (normal display orientation) or **ON** (reverse display orientation).
7. Press **<ENTER>**.

Pan Angle

To set the pan angle range on the Intimidator Spot 475ZX, do the following:

1. Press **<MENU>**.
2. Use **<UP>** or **<DOWN>** to select **Setup**.
3. Press **<ENTER>**.
4. Use **<UP>** or **<DOWN>** to select **Pan Angle**.
5. Press **<ENTER>**.
6. Use **<UP>** or **<DOWN>** to select from **540** (540°), **360** (360°), or **180** (180°).
7. Press **<ENTER>**.

Tilt Angle

To set the tilt angle range on the Intimidator Spot 475ZX, follow the instructions below:

1. Press **<MENU>**.
2. Use **<UP>** or **<DOWN>** to select **Setup**.
3. Press **<ENTER>**.
4. Use **<UP>** or **<DOWN>** to select **Tilt Angle**.
5. Press **<ENTER>**.
6. Use **<UP>** or **<DOWN>** to select from **270** (270°), **180** (180°), or **90** (90°).
7. Press **<ENTER>**.

Totem Mode

To activate the Totem mode, do the following:

1. Press **<MENU>**.
2. Use **<UP>** or **<DOWN>** to select **Setup**.
3. Press **<ENTER>**.
4. Use **<UP>** or **<DOWN>** to select **Totem Mode**.
5. Press **<ENTER>**.
6. Use **<UP>** or **<DOWN>** to select **OFF** (normal range of motion), **UP** (restricts the pan and tilt motion for overhead mounting), or **DOWN** (restricts the pan and tilt motion for surface/floor mounting).
7. Press **<ENTER>**.

Sound Sensitivity

To set the sound sensitivity on the Intimidator Spot 475ZX, follow the instructions below:

1. Press **<MENU>**.
2. Use **<UP>** or **<DOWN>** to select **Setup**.
3. Press **<ENTER>**.
4. Use **<UP>** or **<DOWN>** to select **Sensitivity**.
5. Press **<ENTER>**.
6. Use **<UP>** or **<DOWN>** to increase or decrease the sound sensitivity, from **001–100**.
7. Press **<ENTER>**.



The product will only respond to low frequencies of music (bass and drums).

DMX Loss

To set the action the Intimidator Spot 475ZX will do when signal is lost, do the following:

1. Press **<MENU>**.
2. Use **<UP>** or **<DOWN>** to select **Setup**.
3. Press **<ENTER>**.
4. Use **<UP>** or **<DOWN>** to select **DMX Loss**.
5. Press **<ENTER>**.
6. Use **<UP>** or **<DOWN>** to select **Hold** (holds the last setting), **Black** (blacks out the product), **Auto** (sets the unit to auto mode), or **Sound** (sets the unit to sound mode).
7. Press **<ENTER>**.

Indicator

To enable or disable the LED indicator, do the following:

1. Press **<MENU>**.
2. Use **<UP>** or **<DOWN>** to select **Setup**.
3. Press **<ENTER>**.
4. Use **<UP>** or **<DOWN>** to select **Indicator**.
5. Press **<ENTER>**.
6. Use **<UP>** or **<DOWN>** to select **OFF** (disabled) or **ON** (enabled).
7. Press **<ENTER>**.

Flash if DMX

To set whether the LED indicator flashes when the product is connected to or disconnected from a DMX signal, follow the instructions below:

1. Press **<MENU>**.
2. Use **<UP>** or **<DOWN>** to select **Setup**.
3. Press **<ENTER>**.
4. Use **<UP>** or **<DOWN>** to select **Flash if DMX**.
5. Press **<ENTER>**.
6. Use **<UP>** or **<DOWN>** to select **ON** (LED indicator flashes when the product is connected to a DMX signal) or **OFF** (LED indicator flashes when the product is disconnected from a DMX signal).
7. Press **<ENTER>**.

USB Update

To enable software update via USB-C, follow the instructions below:

1. Press **<MENU>**.
2. Use **<UP>** or **<DOWN>** to select **Setup**.
3. Press **<ENTER>**.
4. Use **<UP>** or **<DOWN>** to select **USB Update**.
5. Press **<ENTER>**.
6. Use **<UP>** or **<DOWN>** to select **Yes** (enables software update using a USB flash drive) or **OFF** (disables software update via USB-C).
7. Press **<ENTER>**.

RF

To access the instructions on how to bind the RF remote to the Intimidator Spot 475ZX, do the following:

1. Press **<MENU>**.
2. Use **<UP>** or **<DOWN>** to select **Setup**.
3. Press **<ENTER>**.
4. Use **<UP>** or **<DOWN>** to select **RF**.
5. Press **<ENTER>**.
6. Select **Bind**.
7. Press **<ENTER>**.
8. Follow the instructions on the display.

Reset

To reset the Intimidator Spot 475ZX, follow the instructions below:

1. Press **<MENU>**.
2. Use **<UP>** or **<DOWN>** to select **Setup**.
3. Press **<ENTER>**.
4. Use **<UP>** or **<DOWN>** to select **Reset**.
5. Press **<ENTER>**.

Factory Reset

To restore the Intimidator Spot 475ZX to factory default settings, follow the instructions below:

1. Press **<MENU>**.
2. Use **<UP>** or **<DOWN>** to select **Setup**.
3. Press **<ENTER>**.
4. Use **<UP>** or **<DOWN>** to select **Factory Set**.
5. Press **<ENTER>**.

System Information

To view the system information on the Intimidator Spot 475ZX, do the following:

1. Press **<MENU>**.
2. Use **<UP>** or **<DOWN>** to select **Sys Info**.
3. Press **<ENTER>**.
4. Use **<UP>** or **<DOWN>** to select **Ver** (displays the firmware version), **Running Mode** (displays the current running mode), **DMX Address** (displays the current DMX address), or **Temperature** (displays the product temperature in °C).

Master/Slave Mode

The Master/Slave mode allows a single Intimidator Spot 475ZX product (the “master”) to control the actions of one or more Intimidator Spot 475ZX products (the “slaves”) without the need of a DMX controller. The master product will be set to operate in standalone mode, while the slave products will be set to operate in slave mode. Once set and connected, the slave products will operate in unison with the master product.

Configure the products as indicated below.

Slave products:

1. Press **<MENU>**.
2. Use **<UP>** or **<DOWN>** to select **Run Mode**.
3. Press **<ENTER>**.
4. Use **<UP>** or **<DOWN>** to select **Slave**.
5. Press **<ENTER>**.
6. Use **<UP>** or **<DOWN>** to select from **Slave1**, **Slave2**, **Slave3**, or **Slave4**.
 - Select **Slave1** for 100% synchronized actions.
 - Select **Slave2**, **Slave3**, and/or **Slave4** for delayed actions, creating a wave effect.
7. Press **<ENTER>**.
8. Connect the DMX input of the first slave product to the DMX output of the master product.
9. Connect the DMX input of the subsequent slave products to the DMX output of the previous slave product.
10. Finish setting and connecting all the slave products.

Master product:

1. Set the master product to operate in standalone mode.
2. Make the master product the first product in the DMX daisy chain.



- **Configure all the slave products before connecting the master to the daisy chain.**
- **Never connect a DMX controller to a DMX string configured for Master/Slave operation because the controller may interfere with the signals from the master.**
- **Do not connect more than 31 slaves to the master.**

Zero Adjust Mode

The Intimidator Spot 475ZX contains a passcode-protected mode that allows the user to calibrate and adjust several of the product's operating parameters.

In order to access this mode, do the following:

1. Press and hold **<MENU>** for at least 3 seconds.
2. Use **<UP>** (increases the selected value) and **<DOWN>** (selects the next value) to enter the passcode: **2323**.
3. Press **<ENTER>**.

In this mode, the zero positions and levels for the following can be adjusted:

Parameter	Function
PAN	Pan motor position
TILT	Tilt motor position
COLOR	Color control
GOBO	Rotating gobo control
GOBO ROTATE	Gobo rotation control
GOBO2	Static gobo control
PRISM	Prism control
FOCUS	Focus control
ZOOM	Zoom control
DIMMER	Dimmer control
SHUTTER	Shutter control

To adjust the zero position or level of one of these parameters, follow the instructions below:

1. Access the Zero Adjust mode.
2. Use **<UP>** or **<DOWN>** to select the parameter to be adjusted.
3. Press **<ENTER>**.
4. Use **<UP>** or **<DOWN>** to increase or decrease the selected value, from **000–255**.
5. Press **<ENTER>**.

RFC Remote Control

The Intimidator Spot 475ZX can be operated with an RFC remote (comes with Intimidator Spot 475ZX) or an RFC-XL remote (sold separately). To enable RF control, follow the instructions below:

1. Press **<MENU>** repeatedly until **Run Mode** shows on the display.
2. Press **<ENTER>**.
3. Use **<UP>** or **<DOWN>** to select between **RF 1–4** (sets which group of fixture the RFC/RFC-XL remote will control) or **RFP** (sets the Intimidator Spot 475ZX to work with public RF signal).
4. Press **<ENTER>**.

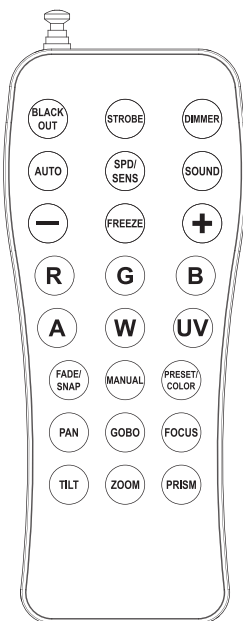


For more information about using an RFC-XL remote, download the Instructions and User Manual from www.chauvetdj.com.



See [RF](#) section for instructions on how to bind an RF remote to the Intimidator Spot 475ZX.

RFC Remote Control Operation



Button	Function
<BLACK OUT>	Press to turn off all lights until the button is pressed again
<STROBE>	Press to toggle strobe, then use <+> or <-> to increase or decrease strobe speed
<DIMMER>	Press then use <+> or <-> to increase or decrease the dimmer
<AUTO>	Press to activate automatic mode, then use <+> or <-> to select a program
<SPD/SENS>	Press then use <+> or <-> to increase or decrease speed or sensitivity
<SOUND>	Press to activate sound-active mode
<->	Press to decrease speed, sensitivity, or the dimmer/color value, or to scroll down the list of programs
<+>	Press to increase speed, sensitivity, or the dimmer/color value, or to scroll up the list of programs
<FREEZE>	Press to stop all movement and color chasing
<R>	In manual mode, press then use <+> or <-> to increase or decrease the Color Wheel speed value
<G>	In manual mode, press then use <+> or <-> to increase or decrease the Gobo Rotation value
	In manual mode, press to trigger Auto value
<A>	In manual mode, press then use <+> or <-> to increase or decrease the pan or tilt value
<W>	In manual mode, press then use <+> or <-> to increase or decrease the Prism value
<UV>	In manual mode, press then use <+> or <-> to increase or decrease the Focus or Zoom value
<MANUAL>	Press to activate manual mode
<PRESET/COLOR>	Press repeatedly to activate and toggle presets/colors
<PAN>	In manual mode, press then use <+> or <-> to increase or decrease the pan value
<GOBO>	In manual mode, press repeatedly to toggle Gobos
<FOCUS>	In manual mode, press then use <+> or <-> to increase or decrease the focus value
<TILT>	In manual mode, press then use <+> or <-> to increase or decrease the tilt value
<ZOOM>	In manual mode, press then use <+> or <-> to increase or decrease the zoom value
<PRISM>	In manual mode, press then use <+> or <-> to



The RFC remote will not respond to any inputs when Freeze or Black Out is activated. If the remote does not respond when a button is pressed, try pressing **<FREEZE>** or **<BLACK OUT>**. Freeze or Black Out may have been inadvertently activated.

5. Maintenance

Product Maintenance

Dust build-up reduces light output performance and can cause overheating. This can lead to reduction of the light source's life and/or mechanical wear. To maintain optimum performance and minimize wear, clean all lighting products at least twice a month. However, be aware that usage and environmental conditions could be contributing factors to increase the cleaning frequency.

To clean the product, follow the instructions below:

1. Unplug the product from power.
2. Wait until the product is at room temperature.
3. Use a vacuum (or dry compressed air) and a soft brush to remove dust collected on the external surface/vents.
4. Clean all transparent surfaces with a mild soap solution, ammonia-free glass cleaner, or isopropyl alcohol.
5. Apply the solution directly to a soft, lint-free cotton cloth or a lens-cleaning tissue.
6. Softly drag any dirt or grime to the outside of the transparent surface.
7. Gently polish the transparent surfaces until they are free of haze and lint.



Always dry the transparent surfaces carefully after cleaning them.



Do not spin the cooling fans using compressed air because they could be damaged.

Gobo Maintenance

To ensure optimal operation, 1) inspect and 2) clean gobos every four months. More frequent maintenance may be necessary if usage is higher.

To inspect, remove each gobo holder and check if:

- the holders are clean (free of dirt, grime, or gunk).
- the gobos are properly installed in the holders.
- all the bearings are in place.
- the holders are rotating freely.

To clean the gobos and the gobo holder, follow the instructions below:

1. Remove the gobos from the holder.
2. Clean the gobos with a soft, lint-free cotton cloth. Use an ammonia-free glass cleaner sprayed to a piece of lint-free cotton cloth to clean glass gobos.
3. Submerge the gobo holder (without the gobo installed) in a container with a liquid lubricant (i.e., WD40) and let it rest for a couple of minutes.
4. Shake the container with the gobo holder inside to help release/loosen any gunk/grime/dirt.
5. Take the gobo holder out of the container and clean it using a small nylon brush.
6. Wipe off all the lubricant from the gobo holder using a piece of lint-free cotton cloth.
7. Apply a small coat of synthetic oil (i.e., Liquid Bearings) to the bearings and rotate it thoroughly in both directions (needle tip applicator recommended). Make sure the gobo holder is rotating freely and is not making any abnormal noise.
8. Reinstall the gobos in the gobo holder. Make sure the gobos are in the correct positions.
9. Reinstall the gobo holder in the unit.

6. Technical Specifications

Dimensions and Weight

Length	Width	Height	Weight
14.3 in (363 mm)	10 in (250 mm)	21 in (531 mm)	36.2 lb (16.5 kg)

Note: Dimensions in inches are rounded.

Power

Power Supply Type	Range	Voltage Selection
Switching (internal)	100 to 240 VAC, 50/60 Hz	Auto-ranging

Parameter	120 V, 60 Hz	230 V, 50 Hz
Consumption	378 W	372 W
Operating Current	3.4 A	1.9 A
Power-linking current (products)	13.6 A (3 products)	13.6 A (7 products)
Fuse	F 7 A, 250 V	F7 A, 250 V

Power I/O	U.S./Worldwide	UK/Europe
Power input connector	IEC	IEC
Power output connector	Edison	IEC
Power cable plug	Edison (U.S.)	Local Plug

Light Source

Type	Color	Quantity	Power	Current	Lifespan
LED	Cool white	1	250 W	10 A	50,000 hours

Photometrics

Zoom Angle	Illuminance (13°)	Illuminance (28°)	Color Temperature
13° to 28°	14,557 lux (at 5 m) to 90,979 lux (at 2 m)	3,930 lux (5 m) to 24,565 lux (2 m)	15,000 K

Thermal

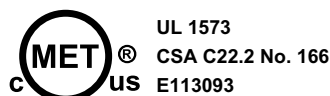
Maximum External Temperature	Cooling System
104 °F (40 °C)	Convection

DMX

I/O Connector	Channel Range
3-pin XLR	10 or 16

Ordering

Product Name	Item Code	UPC Number
Intimidator Spot 475ZX	08011956	781462223045



RoHS



Contact Us

General Information	Technical Support
Chauvet World Headquarters	
Address: 3360 Davie Rd., Suite 509 Davie, FL 33314 Voice: (954) 577-4455 Fax: (954) 929-5560 Toll Free: (800) 762-1084	Voice: (844) 393-7575 Fax: (954) 756-8015 Email: chauvetcs@chauvetlighting.com Website: www.chauvetdj.com
Chauvet U.K.	
Address: Pod 1 EVO Park Little Oak Drive, Sherwood Park Nottinghamshire, NG15 0EB UK Voice: +44 (0) 1773 511115 Fax: +44 (0) 1773 511110	Email: UKtech@chauvetlighting.eu Website: www.chauvetdj.eu
Chauvet Benelux	
Address: Stokstraat 18 9770 Kruishoutem Belgium Voice: +32 9 388 93 97	Email: BNLtech@chauvetlighting.eu Website: www.chauvetdj.eu
Chauvet France	
Address: 3, Rue Ampère 91380 Chilly-Mazarin France Voice: +33 1 78 85 33 59	Email: FRtech@chauvetlighting.fr Website: www.chauvetdj.eu
Chauvet Germany	
Address: Bruno-Bürgel-Str. 11 28759 Bremen Germany Voice: +49 421 62 60 20	Email: DEtech@chauvetlighting.de Website: www.chauvetdj.eu
Chauvet Mexico	
Address: Av. de las Partidas 34 - 3B (Entrance by Calle 2) Zona Industrial Lerma Lerma, Edo. de México, CP 52000 Voice: +52 (728) 690-2010	Email: servicio@chauvet.com.mx Website: www.chauvetdj.mx

Warranty & Returns

For warranty terms and conditions and return information, please visit our website.

For customers in the United States and Mexico: www.chauvetlighting.com/warranty-registration.

For customers in the United Kingdom, Republic of Ireland, Belgium, the Netherlands, Luxembourg, France, and Germany: www.chauvetlighting.eu/warranty-registration.