

DIN-LED4 1000X

4 Channel RDM Compatible 1000mA Constant Current LED Driver



General Information

- A constant current LED driver with DMX/RDM input. The DIN mountable driver includes 4 outputs.
- Dimming is performed with a 500Hz PWM signal, and 8 bit resolution.
- DMX address or Automode is set using any standard RDM controller
- There are 2 Automode programs with adjustable speeds that cycle through colours when RGB LED's are connected to the outputs.
- The DIN-RDS4 fully complies to the RDM ANSI E1.20 standard.
- Requires External 7-24V DC power supply (current determined by the output load).

- Status LED
- CE & FCC certified

Features

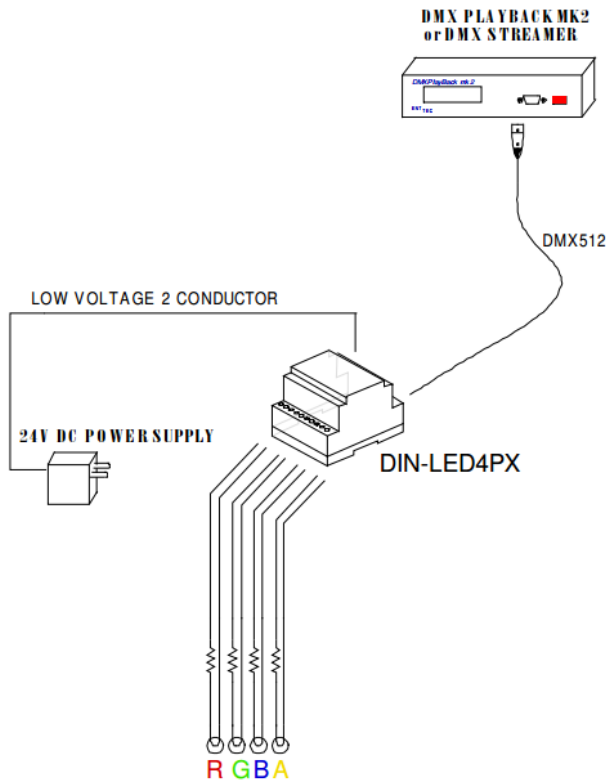
- DIN RAIL mountable
- 4 LED ports on 10 way screw connectors
- 1 input DMX on 3 way screw connector
- Overtemperature protection

Technical Specifications

Item	Value
Input Voltage	7-24V DC
Maximum Current	1000mA (Per Output)
Output Type	Constant Current
Max Output Channels	4 channels (addressed through RDM)
Supported Protocols	Pro-DMX512A / E1.20
Connectors	Phoenix screw terminals
Environment	0°-50°C in non-condensing environment
DIN RAIL	4 MODULES Wide

Wiring Schematic

DIN-LED4PX



Physical Details

Item	Value
Width:	2.75" / 70mm
Height	3.39" / 86mm
Depth	1.93" / 57mm
Weight	0.26bs / 118g
Shipped Weight	0.33bs / 150g

Due to continuous improvements and innovations of all ENTTEC products, specifications and features are subject to change without notice. For the latest version of this manual contact your local ENTTEC vendor.

Ordering Information

ENTTEC DIN-LED4 1000X and related products can be ordered from our website or through your ENTTEC dealer using the following part numbers.

Item	Name
71008	DIN-LED4 1000X

Wiring Advice:

The Enttec DIN-LED4 1000X's DMX input phoenix connector, can be double wired (thereby making a pass-through). whereby two wires may be connected to each terminal in order to approximate a daisy chain (with no more than 32 devices).

Installation

- This product should be installed and serviced by a qualified person.
- Do not expose this unit to direct sunlight or water. If installed outdoors, ensure it is mounted within a waterproof enclosure.
- Never connect any cables whilst the power is on and always assure correct connections before switching on to avoid short circuits and irreversible damage.
- Ensure the output voltage of any power supplies used comply with the working voltage of the unit.
- This product should be installed and serviced by a qualified person.
- Always be sure to mount this unit in an area with proper ventilation to eliminate all possibilities of overheating.

Email: sales@enttec.com
Website: www.enttec.com