



PLATINUM SPOT III™

SKU# **EPS084**

The Platinum Spot LED III™ features a new 230W 8,500K >79CRI Cool White LED engine, delivering total 7,200 lumens, 16° to 32° zoom, 8 dichroic colors, 7 rotating-interchangeable glass and 7 static-stamped metal gobos, a bi-directional variable speed animation wheel, 3-facet rotating prism, frost filter, motorized iris and focus, variable dimming curves, high speed mechanical shutter and strobe, hibernation mode, 3 and 5pin DMX in/out connections, RDM (Remote Device Management), full color 180° reversible menu display with 6 button touch control panel, battery backup for display power, flicker free operation for TV and FILM, and a multi-voltage universal auto switching power supply (100-240v).

FEATURES

Cool White LED Spot Luminaire

230W, 8,500K, >79CRI, 7,200 Lumen, 60,000 Hours

16° to 32° Motorized Zoom, 8 Dichroic Colors

7 Rotating-Interchangeable and 7 Static-Stamped Gobos

Bi-Directional Variable Speed Animation Wheel

3-Facet Rotating Prism and Frost Filter

High Speed Mechanical Shutter and Strobe

Motorized Iris and Focus and Variable Dimming Curves

Low Heat, Quiet Operation, Hibernation Mode

Flicker Free Operation For Broadcast TV and FILM



Specifications are subject to change without notice ©Elation Professional 08/04/15

PRODUCT SPECIFICATIONS

SOURCE

230W Cool White LED Engine
60,000 Hour Average LED Life

PHOTOMETRIC DATA

6,500K, >79CRI, 7,200 Lumens
17,500 LUX 1,626 FC @8.2' (2.5m) (16° Full ON)
5,373 LUX 499 FC @8.2' (2.5m) (32° Full ON)

EFFECTS

16° - 32° Motorized Zoom
Bi-Directional Variable Speed Animation Wheel
3-Facet Rotating Prism and Prism Macros
Frost Filter Hybrid Wash Effect
Motorized Zoom, Iris and Focus
High Speed Mechanical Shutter and Strobe
Variable Dimming Curves

COLOR

8 Dichroic Colors

GOBOS

7 Interchangeable-Rotating / Indexing Glass Gobos
7 Static-Stamped Metal Gobos

CONTROL / CONNECTIONS

(3) DMX Channel Modes (18 / 20 / 27)
RDM (Remote Device Management)
6 Button Touch Control Panel
Full Color 180° Reversible LCD Menu Display
8 / 16 Bit Resolution Adjustable Movement
3pin & 5pin DMX In/Out

SIZE / WEIGHT

Length: 15.1" (375mm)
Width: 13.2" (334mm)
Vertical Height: 23.7" (601mm)
Weight: 46.0 lbs. (20.8 kg)

ELECTRICAL / THERMAL

AC 100-240V - 50/60Hz
350W Max Power Consumption
-13°F to 113°F (-25°C to 45°C)

APPROVALS / RATINGS



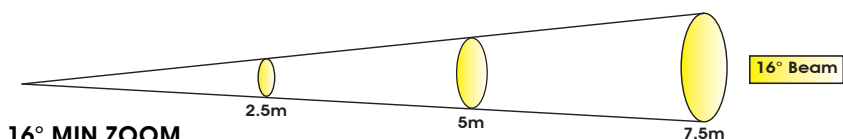
INSTALLATION

Rigging: Clamps (Not Included)
Working Position: Flat Surface / Inverted (180°)

OPTIONAL ACCESSORIES

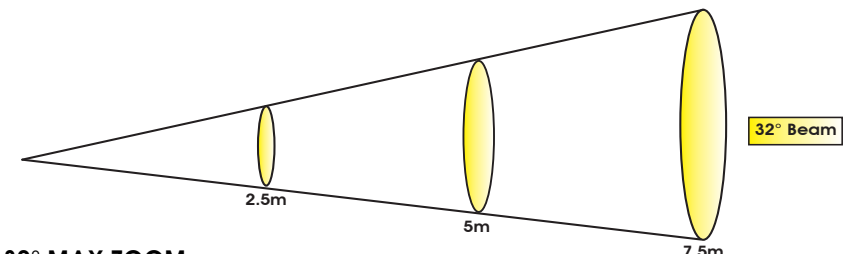
ORDER CODE	ITEM
TRIGGER CLAMP	Heavy Duty Wrap Around Hook Style Clamp
*** pending ***	Road Case For Platinum Spot LED III™
EWDMXSYSTEM	Wireless DMX System (1 Transmitter, 1 Receiver)
AC3PDMX5PRO	5 ft. (1.5m) 3pin PRO DMX Cable
AC5PDMX5PRO	5 ft. (1.5m) 5pin PRO DMX Cable
	Additional cable lengths available

PHOTOMETRIC DATA



16° MIN ZOOM

Distance	2.5m	8.2 ft	5m	16.4 ft	7.5m	24.6 ft
Diameter	0.7	2.3	1.4	4.6	2.1	6.9
Photometrics	lux	fc	lux	fc	lux	fc
FULL ON	17,500	1,626	4,450	413	2,178	202



32° MAX ZOOM

Distance	2.5m	8.2 ft	5m	16.4 ft	7.5m	24.6 ft
Diameter	1.43	4.7	2.86	9.4	4.29	14.1
Photometrics	lux	fc	lux	fc	lux	fc
FULL ON	5,373	499	1,438	134	700	65

COLORS AND GOBOS

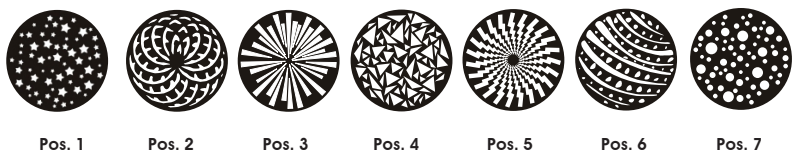
COLOR WHEEL



INTERCHANGEABLE-ROTATING GOBO WHEEL 1 - OD: Ø26.8mm**



STATIC-STAMPED GOBO WHEEL 2



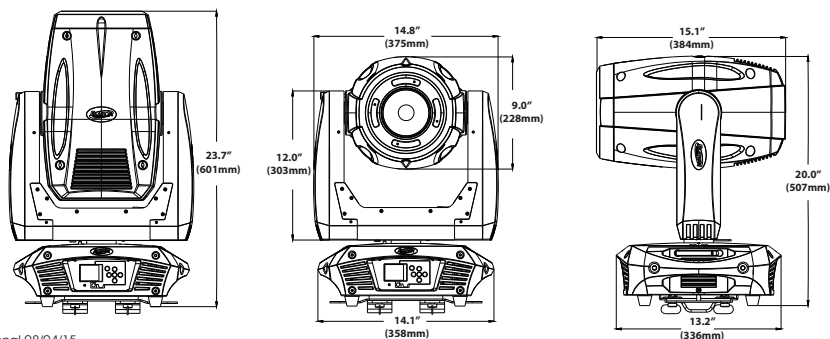
BI-DIRECTIONAL ANIMATION WHEEL



****IMPORTANT NOTICE REGARDING GOBO DIMENSIONS AND CUSTOM GOBOS**

OD = Outside Diameter | ID = Image Diameter
Due to varying manufacturing processes, it is highly recommended to provide a gobo and holder sample from the fixture to 3rd party custom gobo vendors for accurate sizing.

DIMENSIONAL DIAGRAMS



Specifications are subject to change without notice ©Elation Professional 08/04/15

